

Hustler® Parts Manual



HUSTLER®
TURF EQUIPMENT

200 South Ridge Road

Hesston, Kansas

67062



NOTICE OF REQUIREMENT OF SPARK ARRESTER MUFFLER

This equipment may create sparks that can start fires around dry vegetation. California Public Resources Code Section 4442.6 provides that it is unlawful to use or operate an internal combustion engine on any forest-covered, brush-covered, or grass-covered land unless the engine is equipped with a spark arrester maintained in effective working order. A spark arrester is a device constructed of nonflammable materials specifically for the purpose of removing and retaining carbon and other flammable particles over 0.0232 of an inch in size from the exhaust flow of an internal combustion engine that uses hydrocarbon fuels or which is qualified and rated by the United States Forest Service. Other states or federal areas may have similar laws. The Operator Should Contact Local Fire Agencies For Laws or Regulations Relating to Fire Prevention Requirements. **THIS EQUIPMENT DOES NOT HAVE A SPARK ARRESTER AND YOU SHOULD CONTACT YOUR AUTHORIZED DEALER FOR THE PURCHASE OF A SPARK ARRESTER.**

Inspect spark arrester daily; replace every 500 hours or as needed.

The Engine Owner's Manual provides information regarding the U.S. Environmental Protection Agency (EPA) and the California Emission Control Regulation of emission systems, maintenance and warranty.

Keep Engine Owner's Manual with your unit. Should the Engine Owner's Manual become damaged or illegible, replace immediately. Replacements may be ordered per the information found in the Product Information section of the owner's manual.

Federal law and California State law prohibit the following acts or the causing thereof:

1. The removal or rendering inoperative by any person other than for purposes of maintenance, repair, replacement, of any device or element of design incorporated into any equipment for the purposes of emissions control prior to or after its sales or delivery to the ultimate purchaser or while it is in use, or
2. The use of the equipment after such device or element of design has been removed or rendered inoperative by any person.

| | |
|--|-----|
| General Information Page | 1 |
| Frame, Engine Guard & Hitch | |
| Frame | 2-1 |
| Engine Guard & Hitch | 2-2 |
| Transmissions, Drive Belt, Steering & Brake | |
| Hydraulic Transmissions & Drive Belt (Multi-Page) | 3-1 |
| Transmission Service Parts - 608512 & 608513 | 3-2 |
| Steering & Brake (Multi-Page) | 3-3 |
| Steering Cover Assembly | 3-4 |
| Steering Box Assembly - 607362 & 607363 | 3-5 |
| Wheels & Tires | |
| Wheels & Tires | 4-1 |
| Front Wheel Assembly | 4-2 |
| Front Wheel Service Parts - 606745 | 4-3 |
| Drive Wheel Assembly | 4-4 |
| Engine, Muffler, Clutch & Fuel System | |
| Engine, Muffler & Clutch (Multi-Page) | 5-1 |
| Engine Service Parts | 5-2 |
| Fuel System (Multi-Page) | 5-3 |
| Fuel Tank Service Parts | 5-4 |
| Instrument Panel, Wire Harness, Fenders & Battery | |
| Instrument Panel & Wire Harness | 6-1 |
| Battery | 6-2 |
| Deck, Deck Belt, Blades & Deck Lift | |
| Service Deck | 7-1 |
| Pulleys & Spindles | 7-2 |
| Deck Pulleys & Spindles | 7-3 |
| Spindle Service Parts - 783506 | 7-4 |
| Deck Belt, Pulley Covers, & Blades | 7-5 |
| Deck Lift & Mounting Hardware (Multi-Page) - Prior To S/N 21106078 | 7-6 |
| Deck Lift & Mounting Hardware (Multi-Page) - S/N 21106078 & Higher | 7-7 |
| Seat & ROPS | |
| Seat & Footrest (Multi-Page) | 8-1 |
| Seat Service Parts - 608996 | 8-2 |
| ROPS | 8-3 |

General Information

Note: When ordering parts, you must use the part number as shown for each part, not the index number. Always give the model and serial number to your parts and service representative.

Note: Items sold in bulk such as seals and hoses are sold by the foot.

Using This Manual

This manual is part of a service package for the Hustler® mowers. Use of this manual in conjunction with other Hustler® mower and component manuals will provide the information necessary to service and maintain Hustler® mowers.

This Parts Manual provides a complete parts listing for the unit. Use this manual when ordering parts. Illustrations used were current at the time of printing, but subsequent production changes may cause your machine to vary slightly in detail. Excel Industries, Inc. reserves the right to redesign and change the machine as deemed necessary, without notification. If a change has been made to your machine which is not reflected in this parts manual, see your authorized dealer for current information and parts.

The Service Manual is a service guide for use by Service Technicians. It provides the necessary information needed to perform normal maintenance requirements on these units.

The Operator's Manual provides fundamental operational information and operational safety that is needed when operating the mower.

The component manuals are furnished by the various manufacturers to be used for the troubleshooting and servicing of their products.

Hardware Description Codes & Abbreviations

The following codes are used throughout this parts manual. Refer to this list when ordering parts.

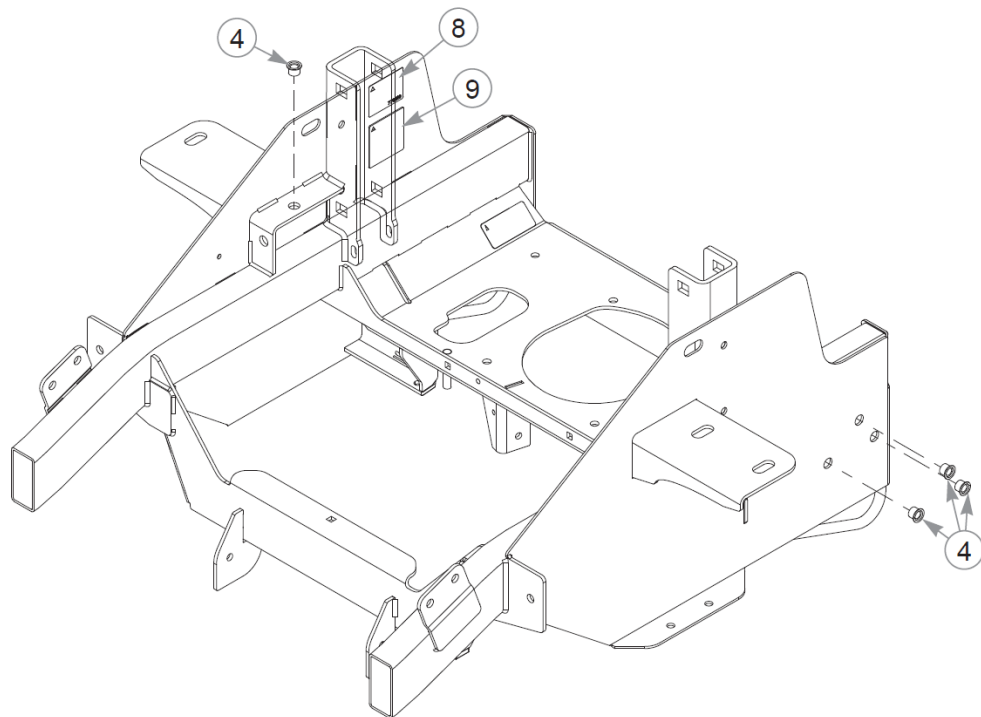
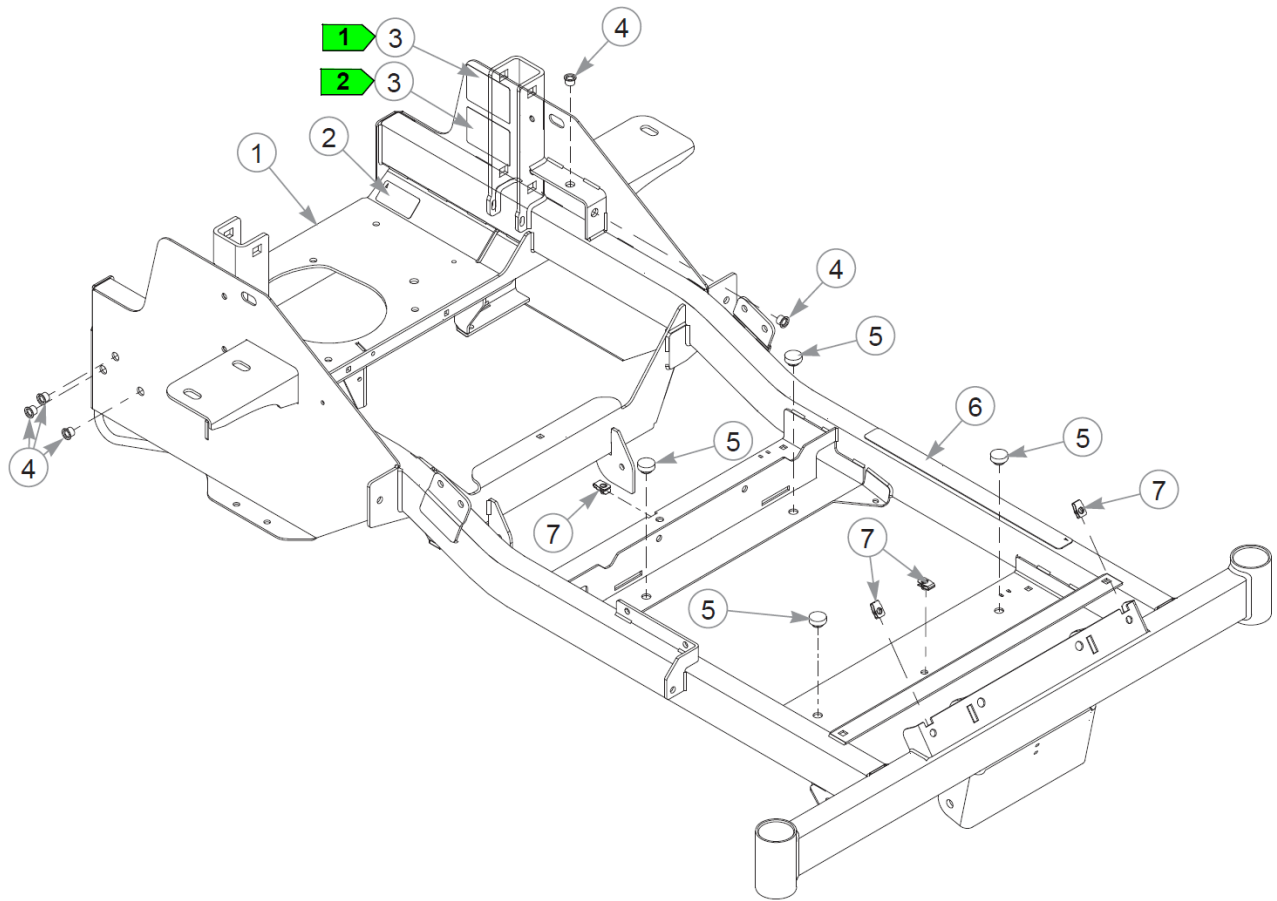
| ABBREVIATION | DESCRIPTION | ABBREVIATION | DESCRIPTION |
|--------------|---------------|--------------|------------------------|
| CB | CARRIAGE BOLT | MB | MACHINE BUSHING |
| CE | CLEVIS PIN | MS | MACHINE SCREW |
| CN | CLIP NUT | NT | NUT |
| CP | COTTER PIN | SC | SELF TAPPING CAP SCREW |
| CS | CAP SCREW | SH | SOCKET HEAD |
| CW | CUP WASHER | SB | SHOULDER BOLT |
| FDRW | FENDER WASHER | SS | SET SCREW |
| FW | FLAT WASHER | OD | OUTSIDE DIAMETER |
| HX | HEX HEAD | ID | INSIDE DIAMETER |
| LW | LOCK WASHER | WN | WELD NUT |

Standard Torques

The following chart lists the standard torque values for the threaded fasteners found in this manual. Torque all cap screws, nuts and set screws to these values unless a different torque is shown in the Notes section next to the fastener.

| SIZE | FT-LBS | N•M | SIZE | FT-LBS | N•M |
|------|--------|------|------|--------|-------|
| .250 | 8.2 | 11.1 | M3 | 1 | 1.3 |
| .312 | 17 | 23 | M4 | 2.2 | 3 |
| .375 | 30 | 40 | M5 | 4.5 | 6.1 |
| .438 | 48 | 65 | M6 | 7.7 | 10.4 |
| .500 | 73 | 99 | M8 | 18.5 | 25 |
| .562 | 105 | 143 | M10 | 37 | 50 |
| .625 | 145 | 200 | M12 | 64 | 87 |
| .750 | 260 | 350 | M14 | 80 | 108.5 |
| .875 | 420 | 565 | M16 | 160 | 215 |
| 1.00 | 625 | 850 | M20 | 320 | 435 |
| | | | M24 | 555 | 750 |

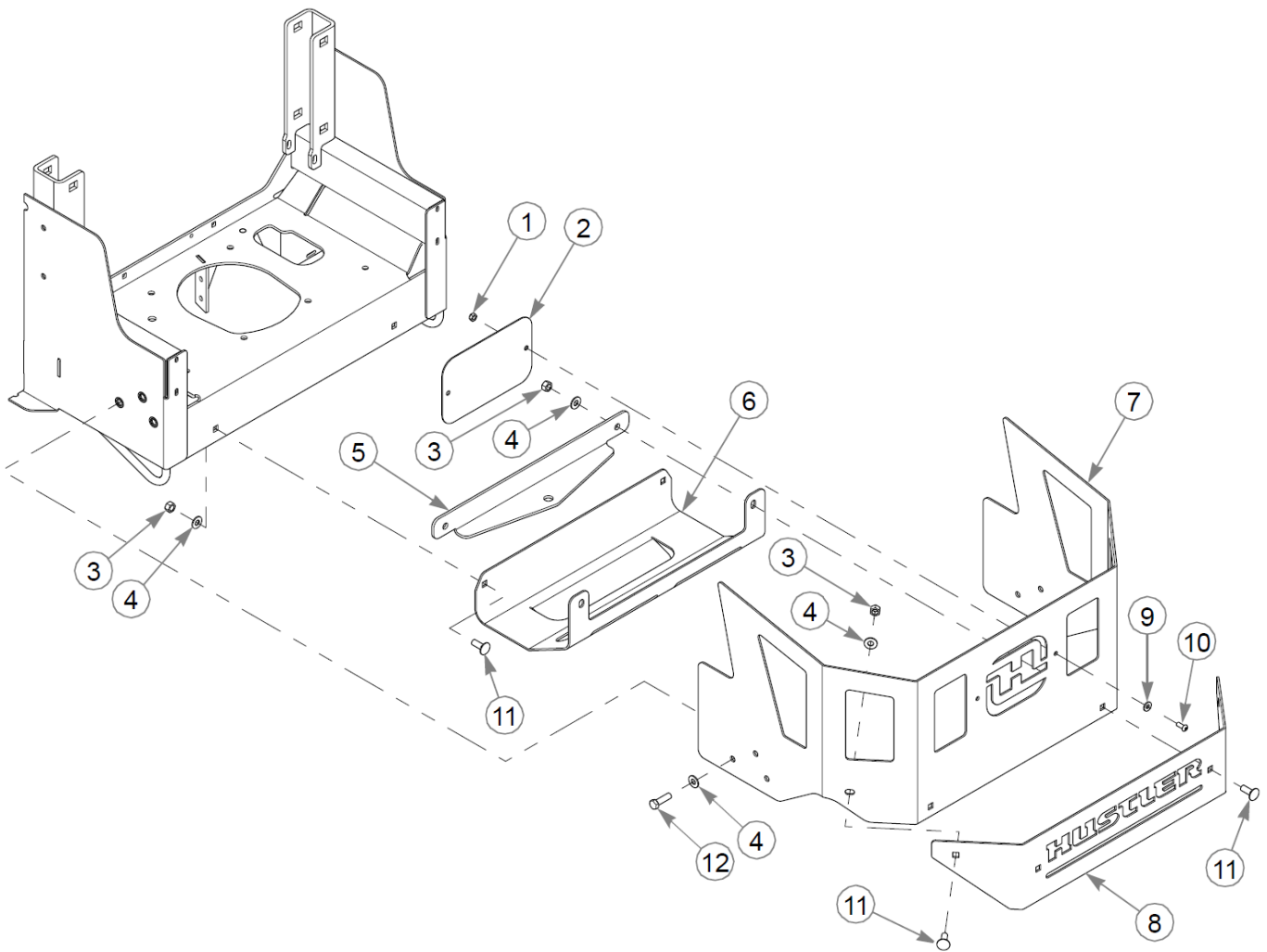
Pagina lasciata volutamente in bianco



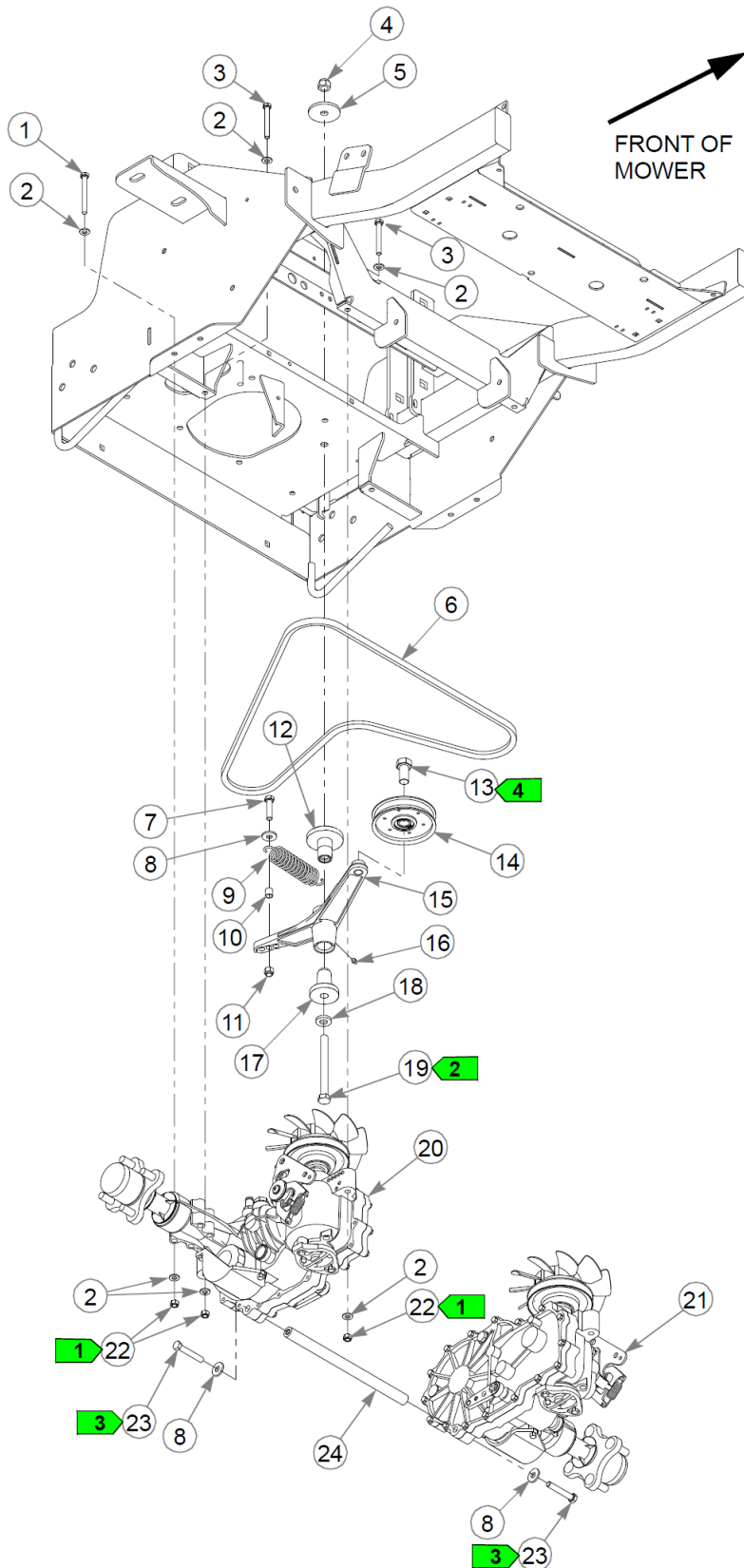
| Elemento | Parte n. | Q.ta | Nome |
|----------|----------|------|-----------------------------|
| 1 | 556149 | 1 | SVC FRAME |
| 2 | 602041 | 2 | DECAL, HOT |
| 3 | 083279 | 2 | SERIAL NUMBER / SPEC. DECAL |
| 4 | 808493 | 10 | RIVET NUT, 3/8-16 THREA |
| 5 | 781880 | 4 | BUMPER, .500x 1.00x .31 |
| 6 | 601993 | 1 | DECAL, SAFE OPERATION |
| 7 | 601982 | 4 | CN .250-20X .150 MAX THK |
| 8 | 776310 | 1 | DECAL, CE MARK |
| 9 | 789776CE | 1 | DBA LIMIT DECAL |

Comments for Page: Frame

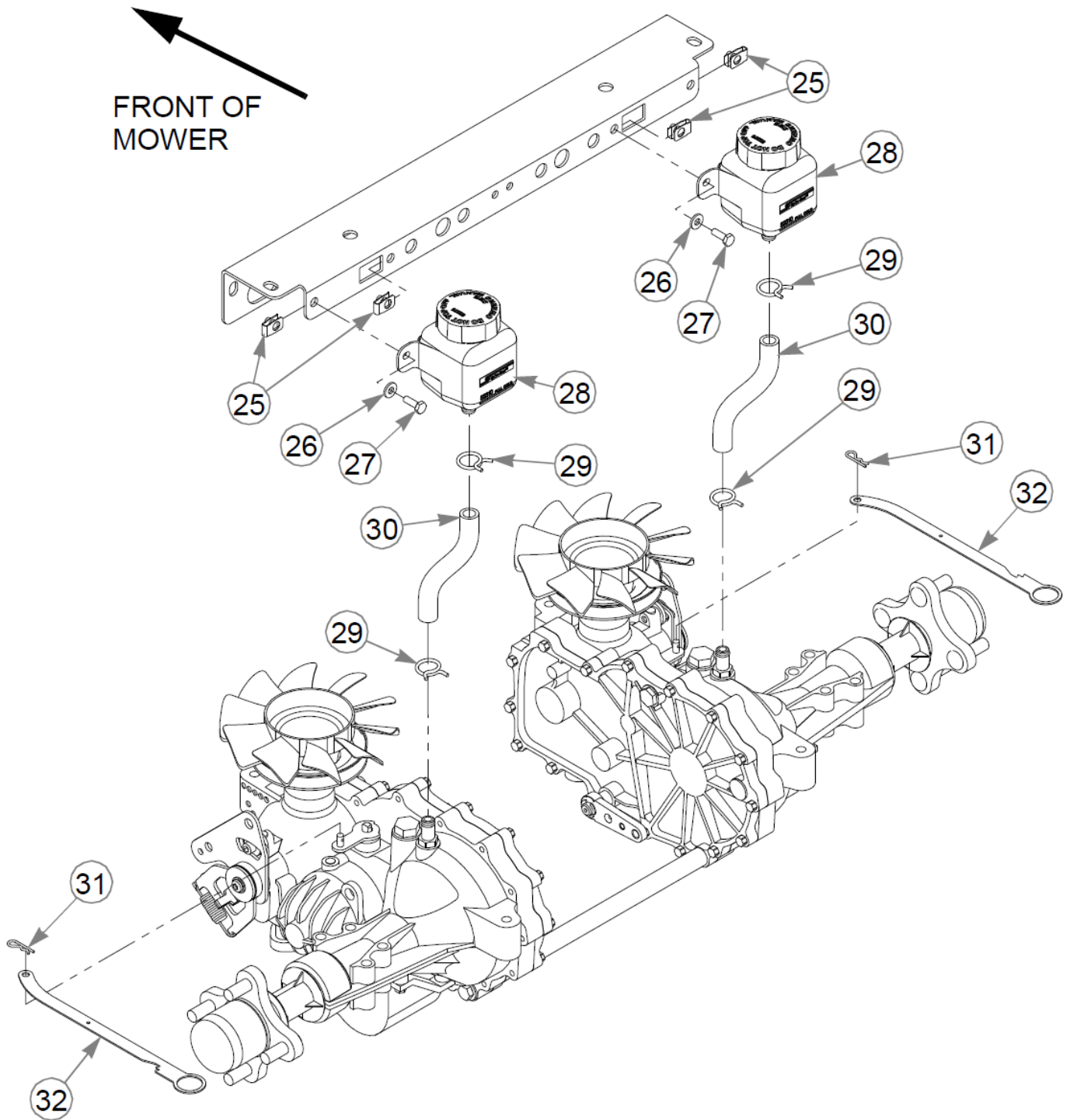
1. Serial number decal. In the event the serial number decal becomes damaged or illegible, please contact your dealer to order a replacement.
2. EPA compliance decal.
3. The frame includes the rivet nuts and decals.



| Elemento | Parte n. | Q.ta | Nome |
|----------|----------|------|--------------------------|
| 1 | 068551 | 2 | NT .250-20 HXZY NL |
| 2 | 128420-6 | 1 | BACKER H LOGO |
| 3 | 054502 | 6 | NT .375-16HXG5 |
| 4 | 767954 | 12 | FW 0.379X.82X.06 HD ZN |
| 5 | 128419-6 | 1 | HITCH PLATE |
| 6 | 128418-6 | 1 | MUFFLER SHIELD |
| 7 | 128416-1 | 1 | ENGINE GUARD YELLOW |
| 8 | 128417-6 | 1 | LOGO PLATE |
| 9 | 605628 | 2 | FW 0.281X.63X.07 ZB |
| 10 | 608598 | 2 | CS .250-20 X .625 BH TX |
| 11 | 025395 | 6 | CB .375-16X 1.00 G5 ZN |
| 12 | 052860 | 6 | CS .375-16X1.25 HX G5 ZN |



Pagina lasciata volutamente in bianco



| Elemento | Parte n. | Q.ta | Nome |
|----------|----------|------|----------------------------|
| 1 | 043067 | 4 | CS .312-18X3.000HXG5 |
| 2 | 768523 | 16 | FW 0.343SAE |
| 3 | 710087 | 4 | CS .312-18X2.500HXG5 |
| 4 | 781567 | 1 | NT .500-13NLG5 |
| 5 | 344267 | 1 | FW .510X2.15X.19 ZN |
| 6 | 605468 | 1 | DRIVE BELT |
| 7 | 080655 | 1 | CS .375-16X1.500HXG5 |
| 8 | 712919 | 3 | FW 0.406X1.00X.12 HD ZN |
| 9 | 036384 | 1 | SPRING 1/4 COIL PL 1.23 |
| 10 | 605481 | 1 | BUSHING |
| 11 | 086660 | 1 | NT .375-16NLG8 |
| 12 | 602880 | 1 | BUSHING, IDLER PIVOT |
| 13 | 781872 | 1 | CS .625-11X1.250HXG5 |
| 14 | 607525 | 1 | PULLEY, IDLER |
| 15 | 608281 | 1 | TENSIONER, CAST |
| 16 | 015495 | 1 | GREASE FITTING STRAIGHT |
| 17 | 602879 | 1 | BUSHING, IDLER PIVOT |
| 18 | 767962 | 1 | FW .531 x 1.063 x .175 |
| 19 | 051151 | 1 | CS .500-13X5.000HXG5 |
| 20 | 608513 | 1 | TRANS, ZT3200 20.69 |
| 21 | 608512 | 1 | TRANS, ZT3200 20.69 |
| 22 | 058776 | 8 | NT .312-18NLG5 |
| 23 | 608241 | 2 | CS .375-16X2.250HXG8 |
| 24 | 600987 | 1 | ZT SPACER TUBE |
| 25 | 601982 | 4 | CN .250-20X .150 MAX THK |
| 26 | 768515 | 4 | FW 0.281SAE |
| 27 | 055939 | 4 | CS .250-20X0.75 HX G5 ZN |
| 28 | 605217 | 2 | RESERVOIR, SINGLE FTNG |
| 29 | 601001 | 4 | SPRING CLAMP, .75" DIA |
| 30 | 605218 | 2 | OVERFLOW HOSE, FST |
| 31 | 706549 | 2 | HP0.080X1.190 |
| 32 | 120126 | 2 | LINK, TOW VALVE |
| 33 | 601052 | 1 | OIL, 20W-50 (1.83 GALLONS) |

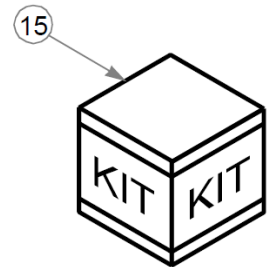
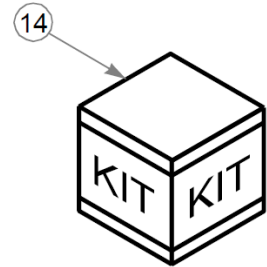
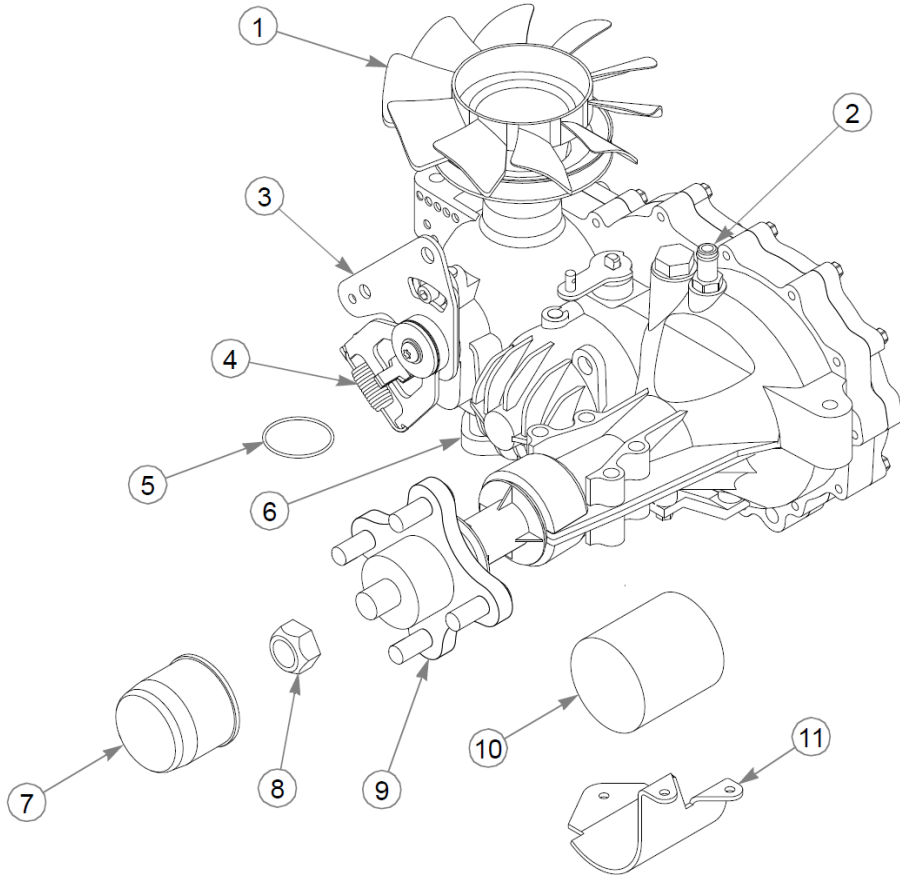
Comments for Page: Hydraulic Transmissions & Drive Belt (Multi-Page)

Hydraulic Transmissions & Drive Belt (Multi-Page)

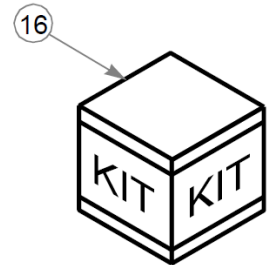
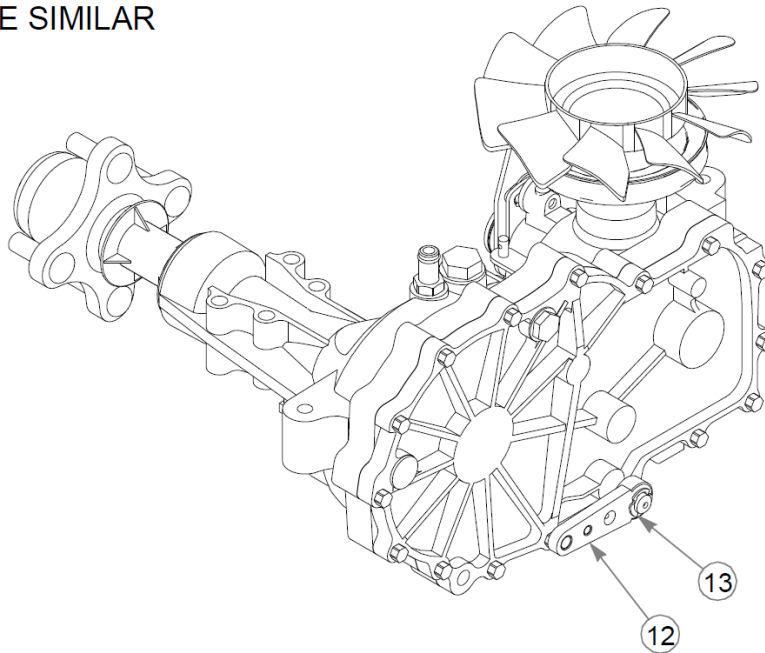
54" RD FasTrak Parts Manual - 943449CE -
HTFSTR054KAWFT691VC

1. Torque to 23 N•m.
2. Torque to 96–102 N•m.
3. Torque to 41 N•m.
4. Torque to 68 N•m.

Pagina lasciata volutamente in bianco



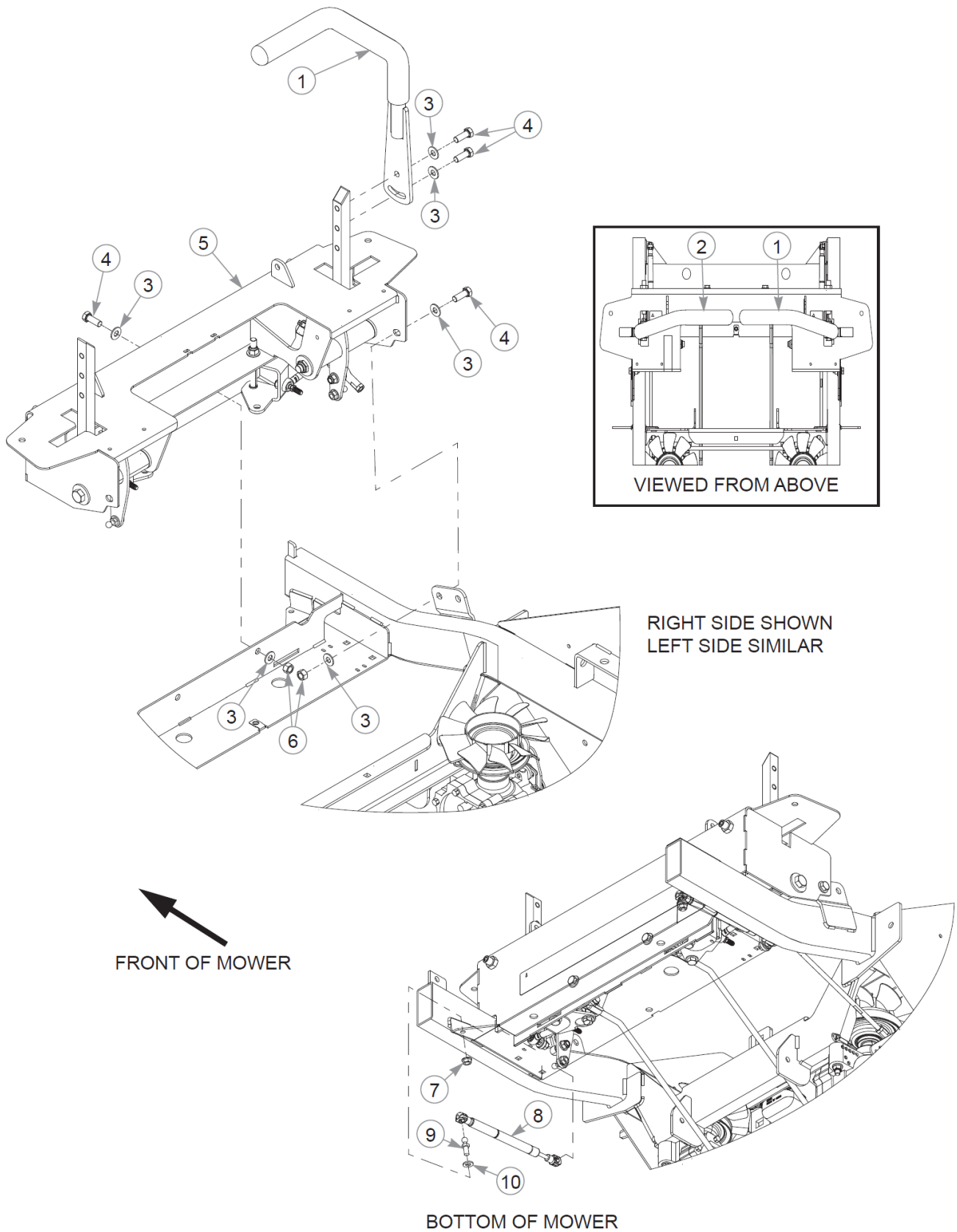
LEFT SIDE TRANSMISSION SHOWN
RIGHT SIDE SIMILAR



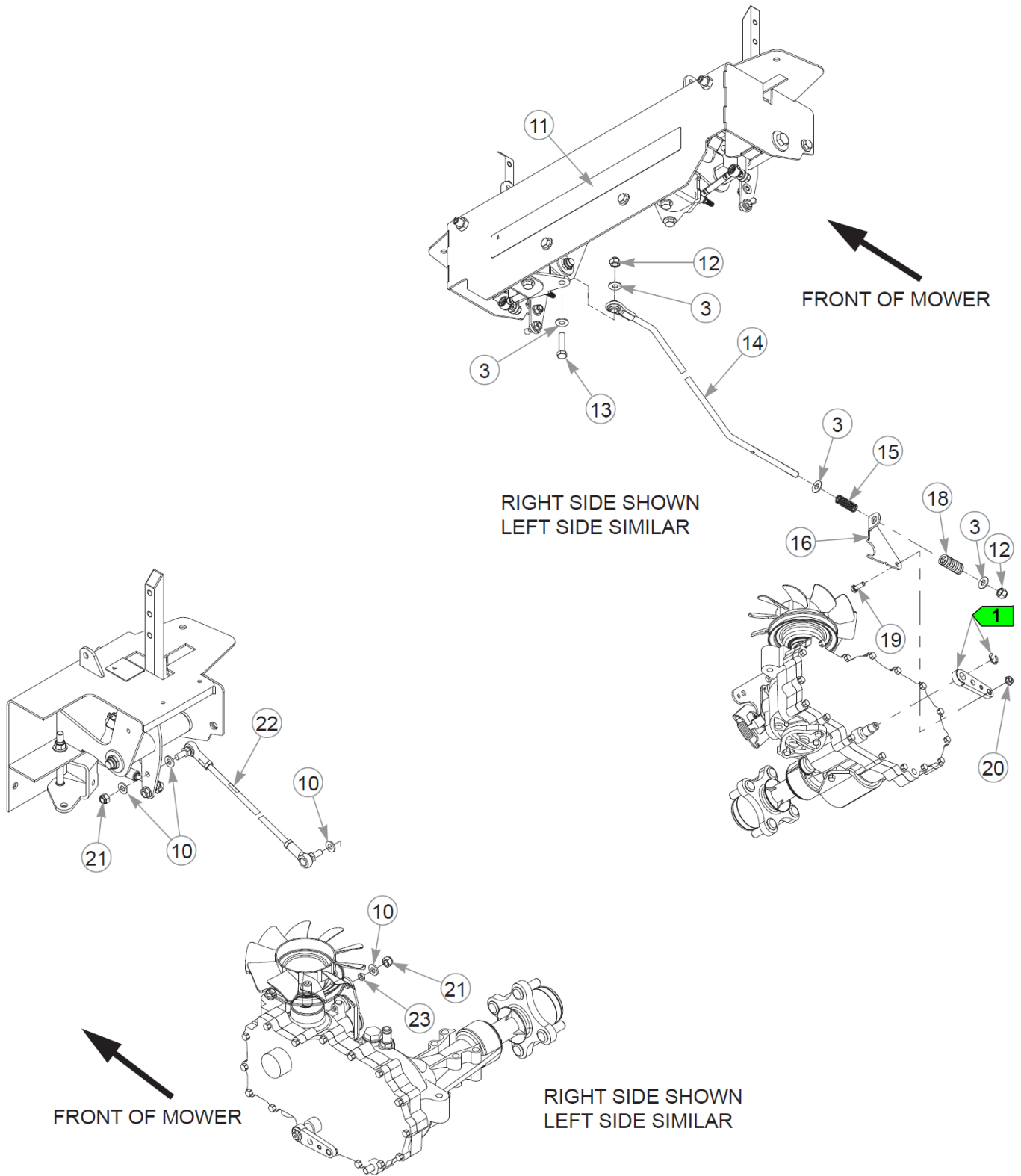
| Elemento | Parte n. | Q.ta | Nome |
|---|----------|------|--------------------------|
| 1 | 607728 | 1 | FAN - 7.0" (10 BLADE) |
| 2 | 605608 | 1 | FITTING, TRANSMISSION |
| 3 | 605778 | 1 | RTN, LEFT |
| | 605779 | 1 | RTN, RIGHT |
| 4 | 604903 | 1 | HG RTN SPRING |
| 5 | 603223 | 1 | O-RING, ZT28/3100 CHARGE |
| 6 | 603572 | 1 | COVER, ZT3100 CHRNG PUMP |
| 7 | 607111 | 1 | CAP, AXLE LONG |
| <p>Commenti per num parte 607111</p> <p>CUSTOMER SERVICE NOTE: Lug Studs are not sold separately.</p> | | | |
| 8 | 788877 | 1 | NUT, H-G ZT HUB |
| 9 | 601433 | 1 | KIT, HUB 4 BOLT |
| <p>Commenti per num parte 601433</p> <p>CUSTOMER SERVICE NOTE: Lug Studs are not sold separately.</p> | | | |
| 10 | 600976 | 1 | HYDRAULIC OIL FILTER |
| 11 | 600975 | 1 | GUARD, TRANS FILTER |
| | 600974 | 1 | GUARD, TRANS FILTER |
| 12 | 601221 | 1 | ZT2800 BRAKE ARM - 2007 |
| 13 | 600972 | 1 | CLIP, RETAINING |
| 14 | 601941 | 1 | FAN/PULLEY KIT |
| 15 | 606830 | 1 | OIL RETENSION KIT |
| 16 | 607199 | 1 | SEAL KIT |

Comments for Page: Transmission Service Parts - 608512 & 608513

1. The LS and RS Returns include the springs.
2. The charge cover includes the bolts.
3. The hub kit includes the nut.
4. The LS and RS filter guards include the bolts.



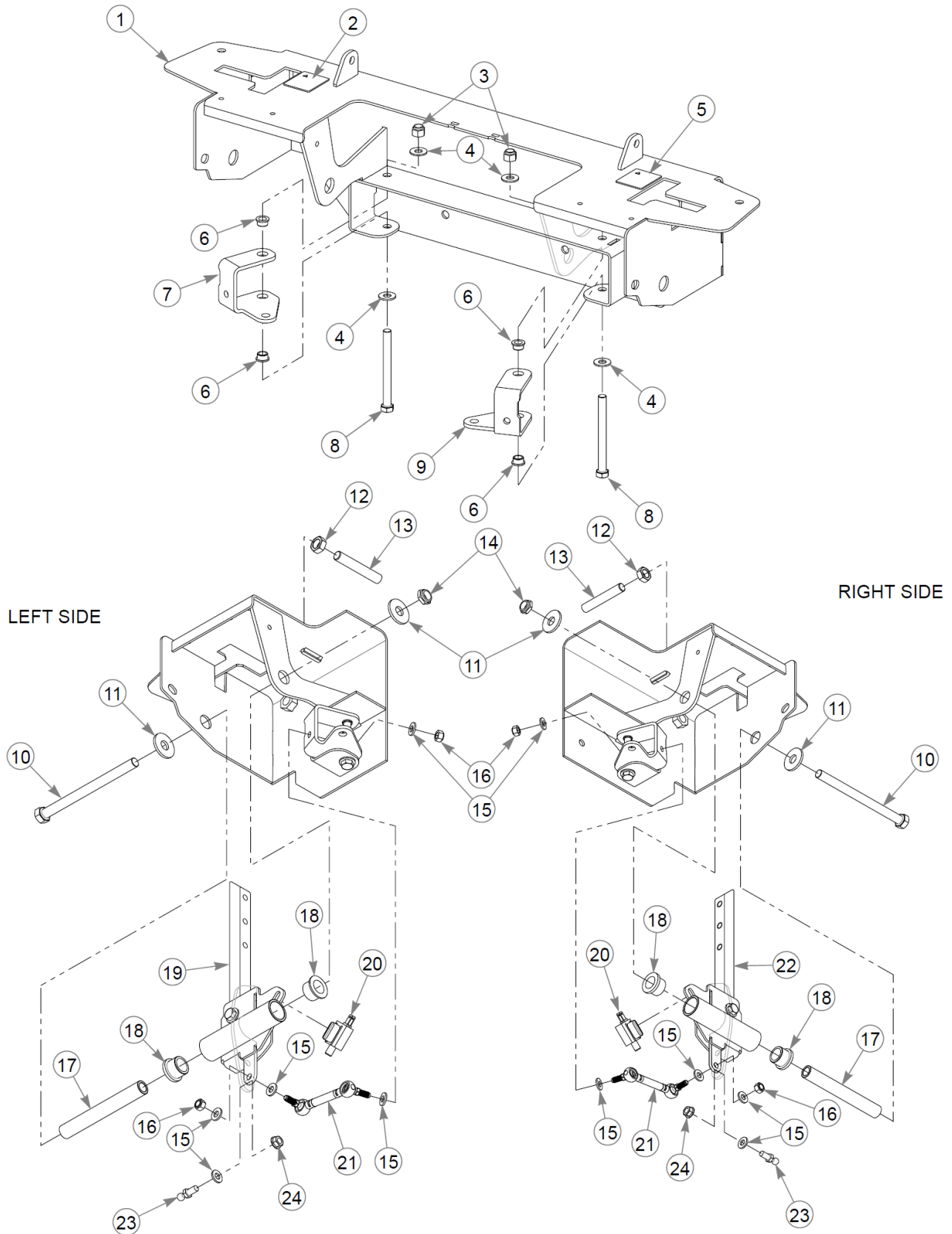
Pagina lasciata volutamente in bianco



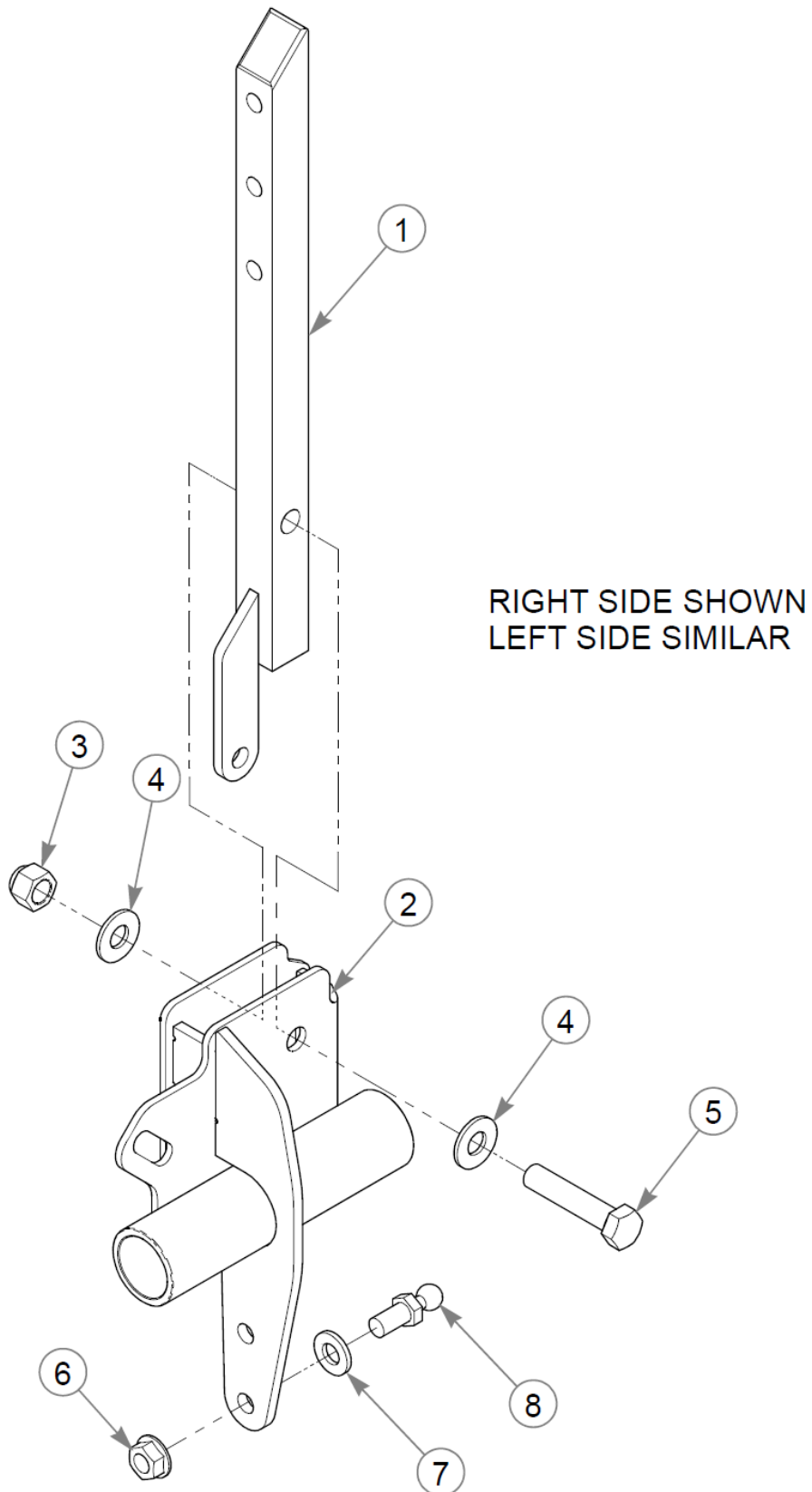
| Elemento | Parte n. | Q.ta | Nome |
|----------|----------|------|------------------------------------|
| 1 | 605383 | 1 | STEERING BAR W/A, RH |
| | 781260 | 1 | GRIP, STEERING BAR |
| 2 | 605384 | 1 | STEERING BAR W/A, LH |
| | 781260 | 1 | GRIP, STEERING BAR |
| 3 | 767954 | 20 | FW 0.379X.82X.06 HD ZN |
| 4 | 036244 | 8 | CS .375-16X1.00 HX G5 ZN |
| 5 | | 1 | REFER TO "STEERING COVER ASSEMBLY" |
| 6 | 054502 | 4 | NT .375-16HXG5 |
| 7 | 016832 | 2 | NT .312-18FLKG5 |
| 8 | 603983 | 2 | DAMPER |
| 9 | 781922 | 2 | BALL STUD |
| 10 | 768523 | 10 | FW 0.343SAE |
| 11 | 608096 | 1 | DECAL, FASTRAK |
| 12 | 086660 | 4 | NT .375-16NLG8 |
| 13 | 080655 | 2 | CS .375-16X1.500HXG5 |
| 14 | 605145 | 2 | BRAKE ROD ASSEMBLY |
| 15 | 601131 | 2 | SPRING, BRAKE ARM RET. |
| 16 | 120671 | 1 | BRAKE SPRING LINK, RS |
| 17 | 120672 | 1 | BRAKE SPRING LINK, LS |
| 18 | 601051 | 2 | OVERTRAVEL SPRING |
| 19 | 055939 | 2 | CS .250-20X0.75 HX G5 ZN |
| 20 | 016816 | 2 | NT .250-20FLKG5 |
| 21 | 023655 | 4 | NT 0.312-24 NL G8 |
| 22 | 600981 | 2 | PUMP ROD ASSEMBLY |
| 23 | 604456 | 2 | SPACER, PUMP ARM |

Comments for Page: Steering & Brake (Multi-Page)

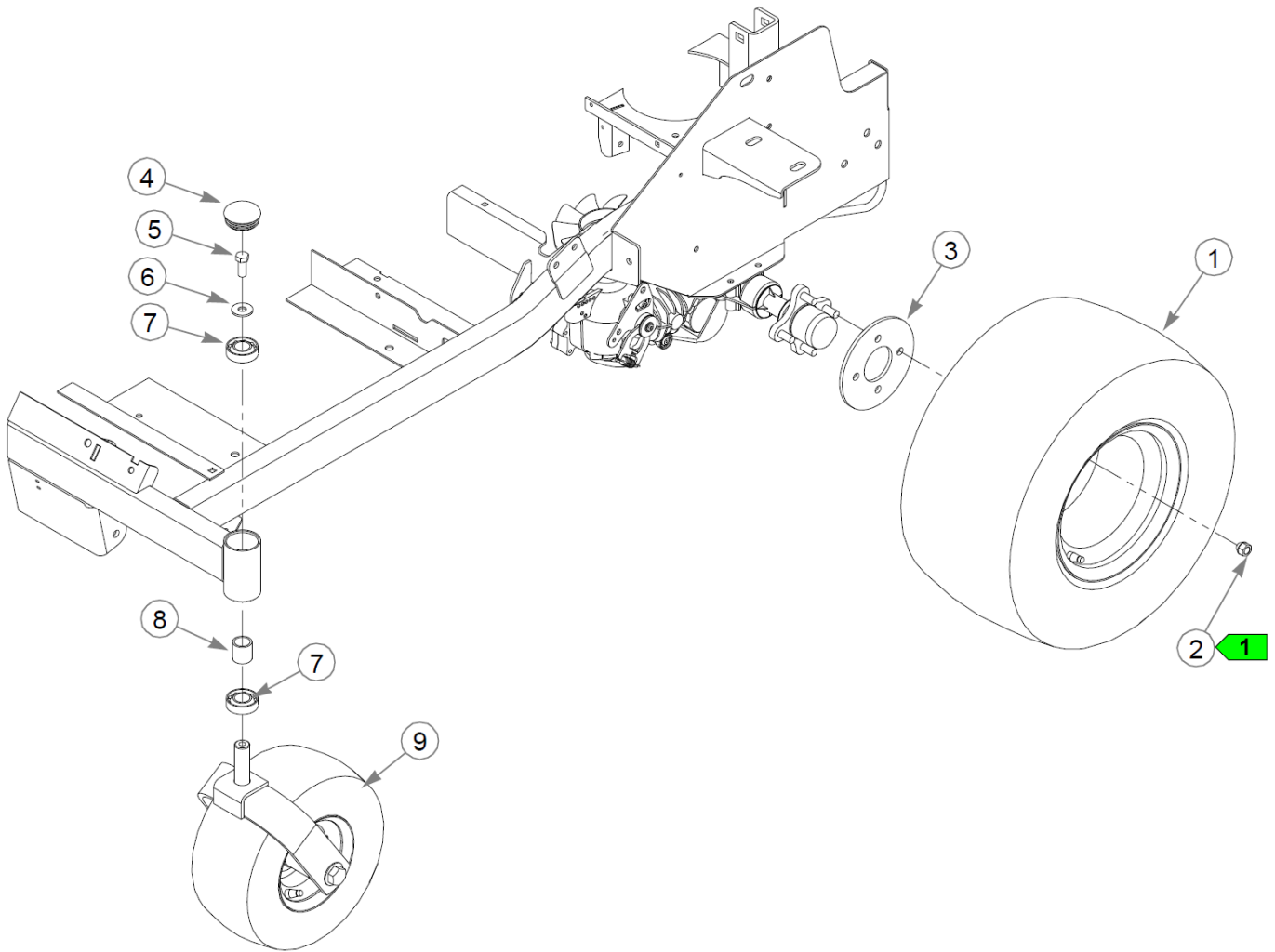
1. Part of the transmission.
2. The steering arms include the grips.
1. Part of the transmission.



| Elemento | Parte n. | Q.ta | Nome |
|----------|----------|------|------------------------------|
| 1 | 556155 | 1 | SVC STEERING COVER |
| 2 | 785139 | 1 | DECAL, STEERING L.S. |
| 3 | 086660 | 2 | NT .375-16NLG8 |
| 4 | 767954 | 4 | FW 0.379X.82X.06 HD ZN |
| 5 | 785220 | 1 | DECAL, STEERING R.S. |
| 6 | 765339 | 4 | BUSHING,IGUS#0608 (FS) |
| 7 | 124352-1 | 1 | BRAKE BELL CRANK, LS |
| 8 | 725796 | 2 | CS .375-16X4.000HXG5 |
| 9 | 124353-1 | 1 | BRAKE BELL CRANK, RS |
| 10 | 042630 | 2 | CS .500-13X6.500HXG5 |
| 11 | 712976 | 4 | FW 0.531X1.38X.12 ZN |
| 12 | 053199 | 2 | NT .500-13JAMG5 |
| 13 | 608555 | 2 | SS .500-13 X 3.0 SH ZN |
| 14 | 707398 | 2 | NT .500-13 JAM NY LK |
| 15 | 768523 | 10 | FW 0.343SAE |
| 16 | 058776 | 4 | NT .312-18NLG5 |
| 17 | 119811 | 2 | SPACER, STEERING |
| 18 | 608000 | 4 | BUSHING |
| 19 | N/A | 1 | LS STEERING BOX SUB-ASSEMBLY |
| 20 | 601087 | 2 | SWITCH, PLUNGER N.O. |
| 21 | 604179 | 2 | BRAKE LINK |
| 22 | N/A | 1 | RS STEERING BOX SUB-ASSEMBLY |
| 23 | 781922 | 2 | BALL STUD |
| 24 | 016832 | 2 | NT .312-18FLKG5 |



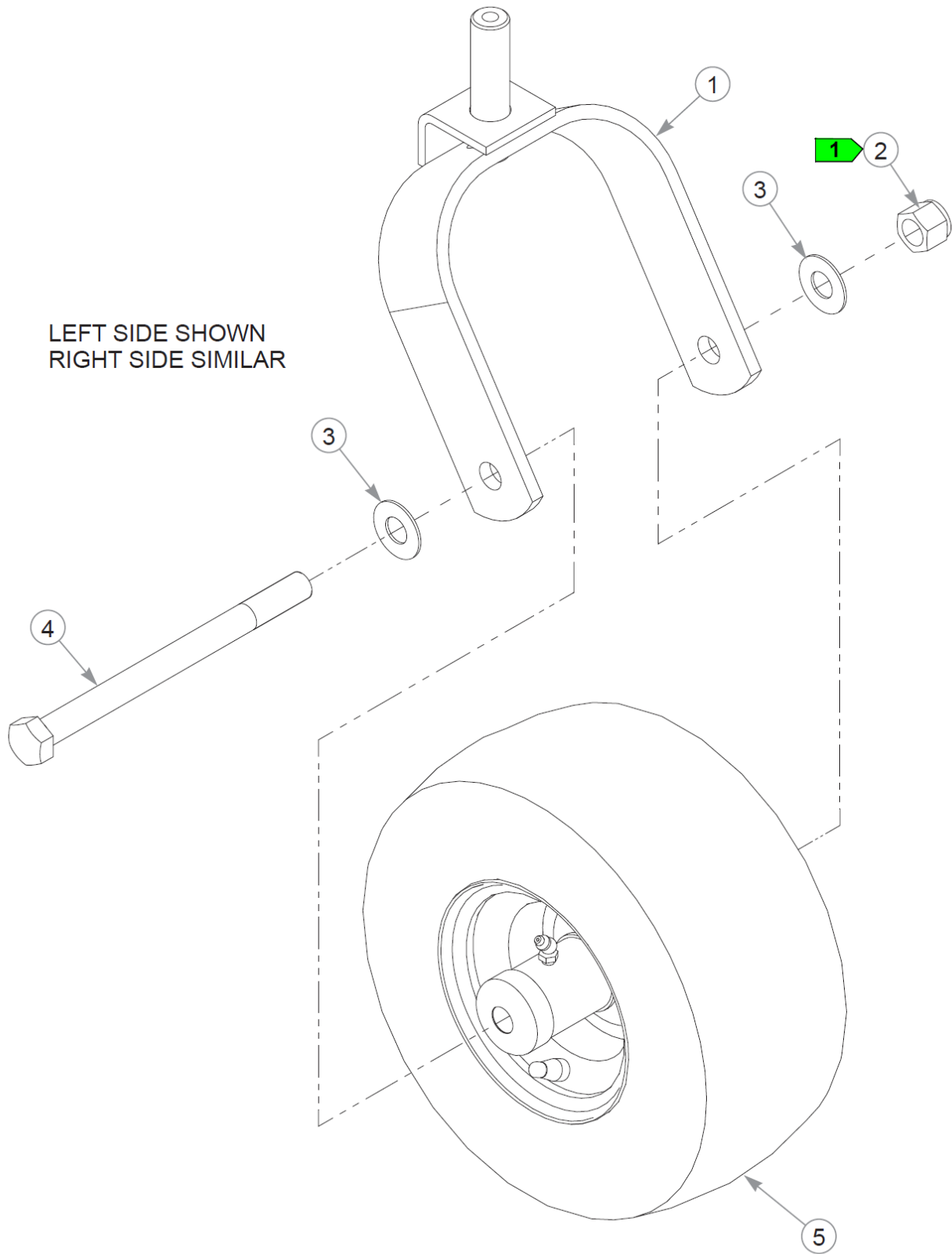
| Elemento | Parte n. | Q.ta | Nome |
|----------|----------|------|------------------------|
| 1 | 119807 | 1 | STEER LEVER W/A |
| 2 | 607362 | 1 | STEERING BOX S/A, RH |
| | 607363 | 1 | STEERING BOX S/A, LH |
| 3 | 086660 | 1 | NT .375-16NLG8 |
| 4 | 767954 | 2 | FW 0.379X.82X.06 HD ZN |
| 5 | 705178 | 1 | CS .375-16X1.750HXG5 |
| 6 | 016832 | 1 | NT .312-18FLKG5 |
| 7 | 768523 | 1 | FW 0.343SAE |
| 8 | 781922 | 1 | BALL STUD |



| Elemento | Parte n. | Q.ta | Nome |
|----------|----------|------|--|
| 1 | 609122 | 2 | TIR/WHL 23X11.00-10 BLK |
| 2 | 061077 | 8 | WHEEL NUT |
| 3 | 111875-1 | 2 | BACKUP PLATE, WHEEL |
| 4 | 607831 | 2 | BEARING CAP |
| 5 | 705954 | 2 | CS .500-13X1.25 HX G5 ZN |
| 6 | 712976 | 2 | FW 0.531X1.38X.12 ZN |
| 7 | 784223 | 4 | BEARING |
| 8 | 784603 | 2 | SPACER |
| 9 | 608538 | 1 | LS FRONT TIRE SUB-ASSEMBLY |
| 10 | 608539 | 1 | RS FRONT TIRE SUB-ASSEMBLY (NOT SHOWN) |

Comments for Page: Wheels & Tires

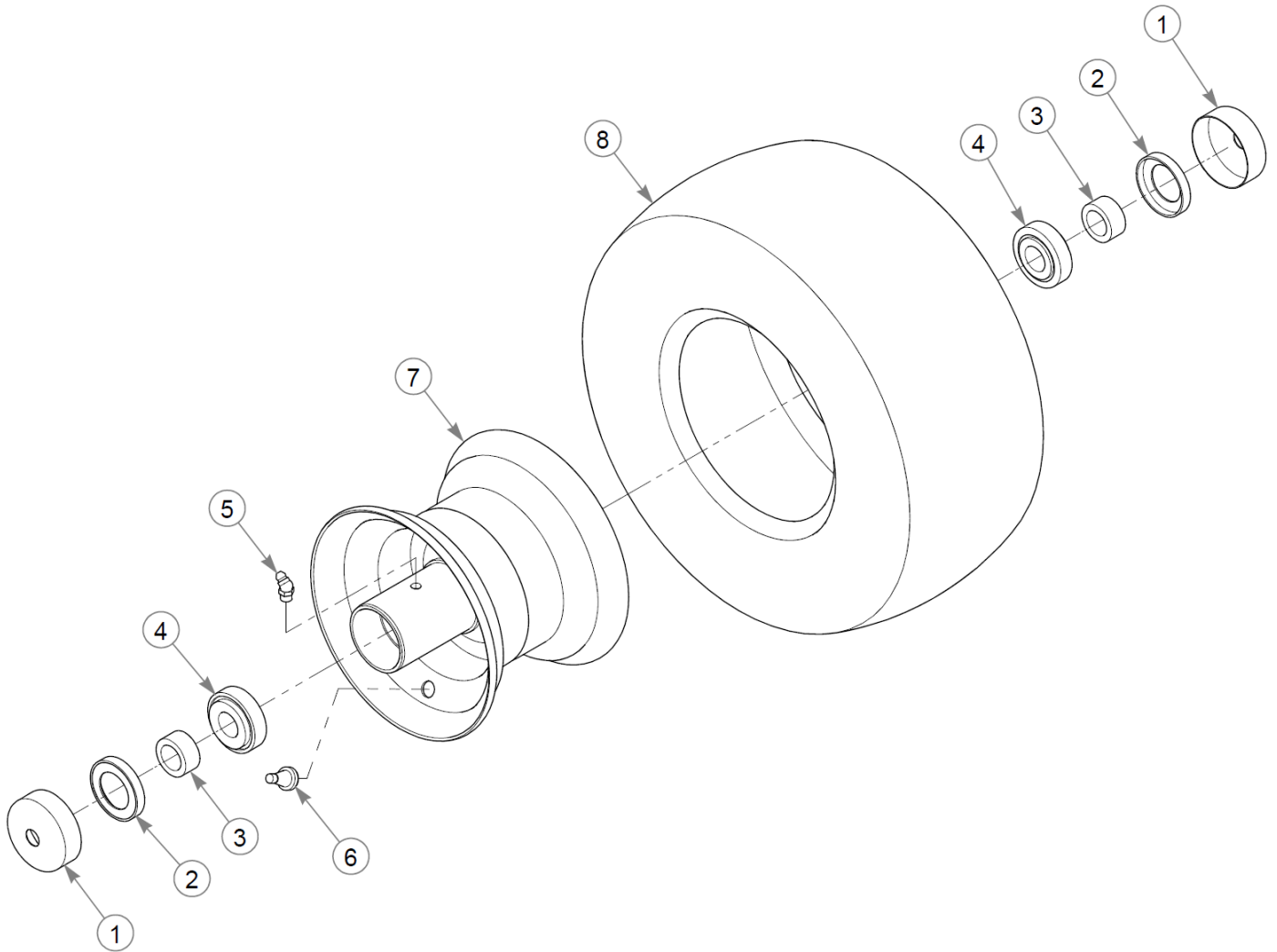
1. Torque to 88–101 N•m.



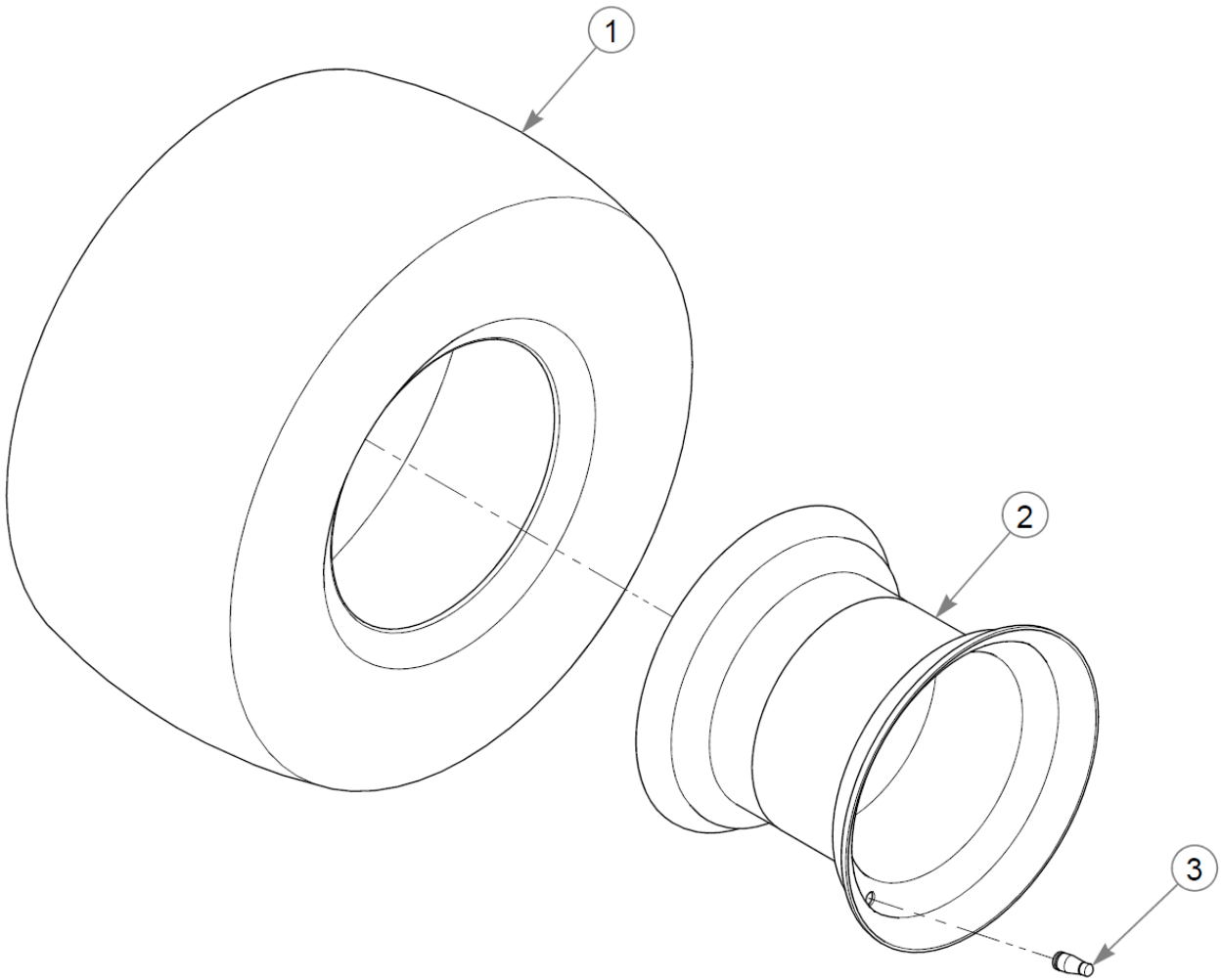
| Elemento | Parte n. | Q.ta | Nome |
|----------|----------|------|--------------------------|
| 1 | 604691 | 1 | FORK W/A |
| 2 | 061101 | 1 | NT .750-10 HX ZN NL GR B |
| 3 | 025296 | 2 | FW .760X1.63X0.08 ZN |
| 4 | 041475 | 1 | CS .750-10X9.50 HX G5 ZN |
| 5 | 606745 | 1 | TIR/WHL 13X6.50-6 BLK |

Comments for Page: Front Wheel Assembly

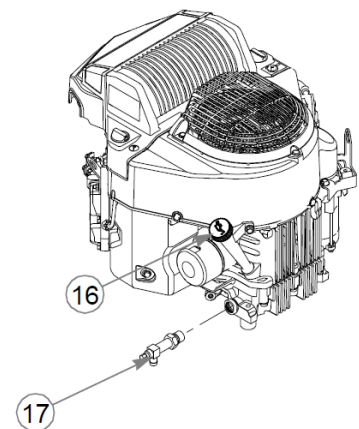
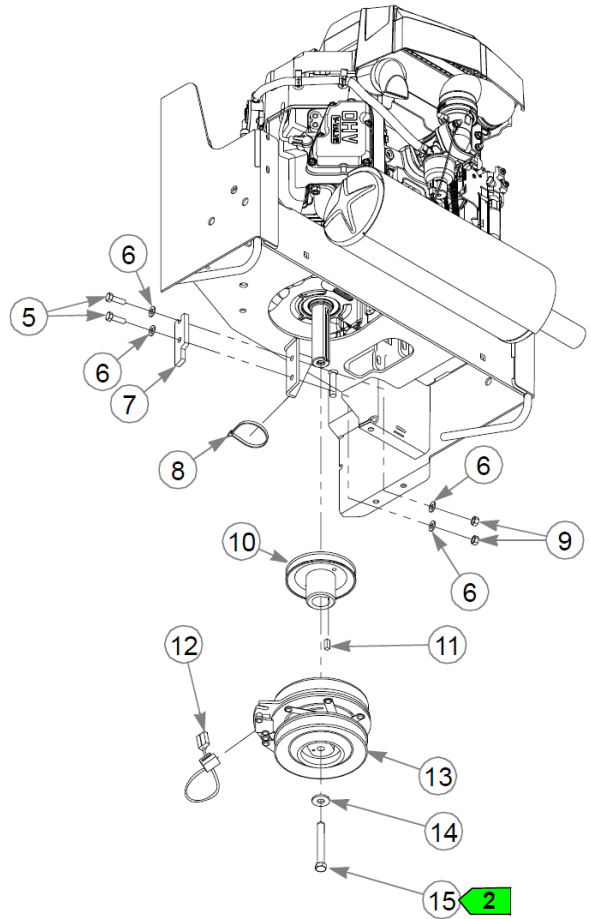
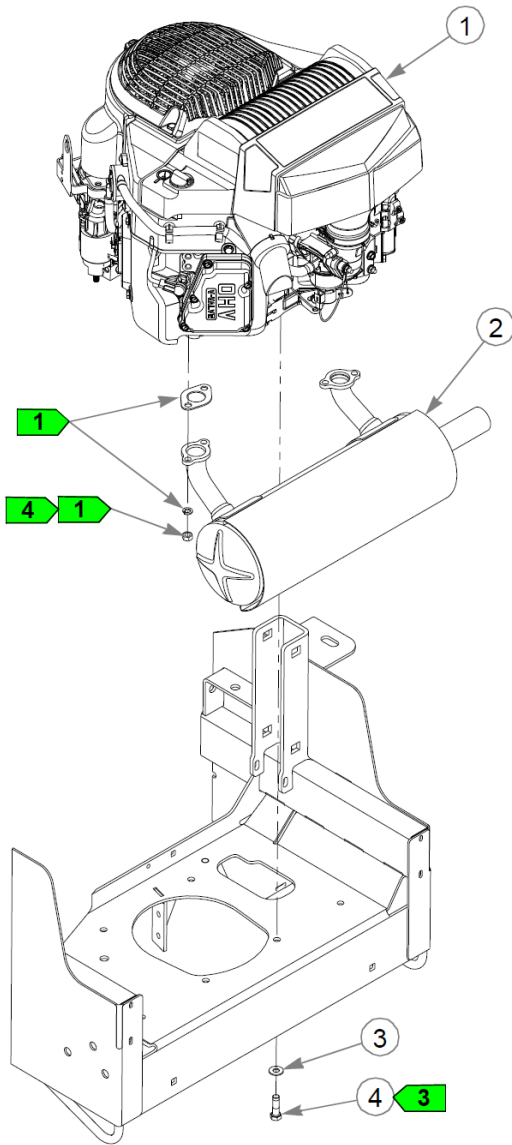
1. Tighten, then back off the nut until the wheel spins freely.



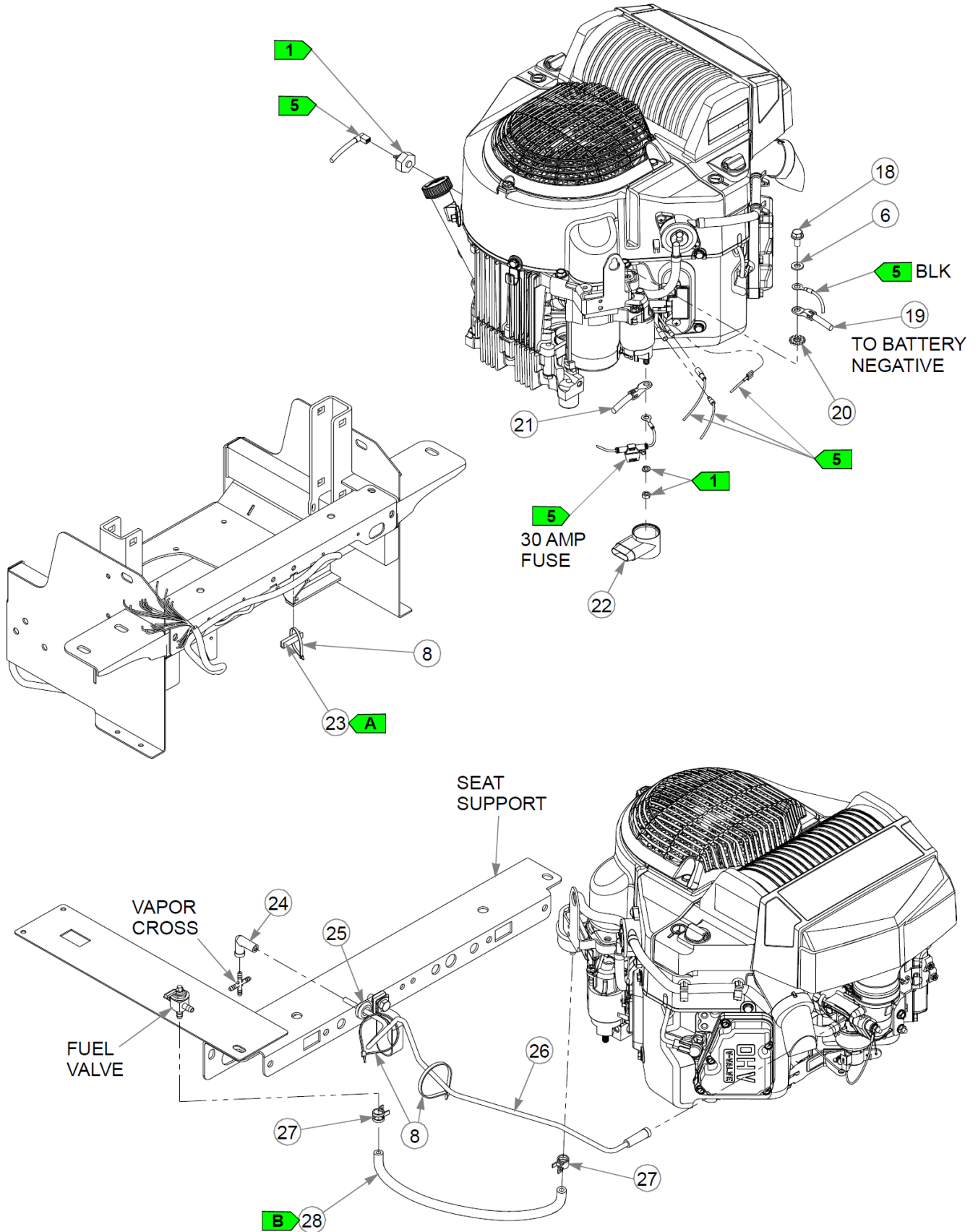
| Elemento | Parte n. | Q.ta | Nome |
|----------|----------|------|-------------------------|
| 1 | 606815 | 2 | DUST CAP, 0.752 ID |
| 2 | 606780 | 2 | SEAL |
| 3 | 606778 | 2 | SPACER, 0.531 |
| 4 | 606753 | 2 | BEARING, TAPERED ROLLER |
| 5 | 606126 | 1 | GREASE FITTING, M8X1.0 |
| 6 | 019521 | 1 | TIRE VALVE TR-412 GOODY |
| 7 | 606752 | 1 | WHL 6X4.50 BLK |
| 8 | 604843 | 1 | TIR 13X6.50-6 B4R SMTH |



| Elemento | Parte n. | Q.ta | Nome |
|----------|----------|------|-------------------------|
| 1 | 607802 | 1 | S/C TO 609123 |
| 2 | 603737 | 1 | WHL 10X8.50 4X4.0 BLK |
| 3 | 019521 | 1 | TIRE VALVE TR-412 GOODY |



Pagina lasciata volutamente in bianco



| Elemento | Parte n. | Q.ta | Nome |
|--|----------|------|---------------------------|
| 1 | N/A | 1 | ENGINE |
| 2 | 608006 | 1 | MUFFLER, 726CC KAW |
| 3 | 767954 | 4 | FW 0.379X.82X.06 HD ZN |
| 4 | 602580 | 4 | CS .375-16X1.25HXG8ZYP85 |
| 5 | 036236 | 2 | CS .312-18X1.000HXG5 |
| 6 | 768523 | 5 | FW 0.343SAE |
| 7 | 113946 | 1 | CLUTCH ANCHOR |
| 8 | 000331 | 4 | WIRE TIE, SMALL/SHORT |
| 9 | 034272 | 2 | NT .312-18HXG5 |
| 10 | 608524 | 1 | PULLEY, ENG 4.831 OP |
| 11 | 712372 | 1 | KEY 1/4 SQ X 0.66 LG(FS) |
| 12 | 791251 | 1 | HARNESS, CLUTCH PIGTAIL |
| <p>Commenti per num parte 791251</p> <p>Pigtail was updated with epoxy to hold the wires steady. The wire sheath was also updated to a more flexible material.</p> | | | |
| 13 | 601785K | 1 | CLUTCH KIT |
| 14 | 602680 | 1 | FW .453X1.12X.12 HRD ZN |
| 15 | 601834 | 1 | CS .437-20X3.25 HXG5 P85 |
| 16 | 601129 | 0.43 | 10W30 OIL (GALLONS) |
| 17 | 796524 | 1 | VALVE,OIL DRAIN M20x2.5 |
| 18 | 720516 | 1 | CS M8-1.25X16HX FL10.9 |
| 19 | 744284 | 1 | BATTERY CABLE NEGATIVE |
| 20 | 029876 | 1 | LW .312 INTEXT ZN |
| 21 | 786632 | 1 | BATTERY CABLE, POS RED |
| 22 | 609182 | 1 | BOOT, RED |
| 23 | 033001P | 1 | FLEX TRIM UNI-GRIP - 3 FT |
| 24 | 605565 | 1 | BOOT, 3/16 TO 3/16 |
| 25 | 080358 | 1 | GM .50X1.00X.75X.12 |
| 26 | 605493 | 1 | VAPOR LINE, 3/16 FORMED |
| 27 | 000323 | 2 | CLIP, HOSE CLAMP |
| 28 | 015818P | 1 | FUEL LINE, 1/4" - 6 FT |

Comments for Page: Engine, Muffler & Clutch (Multi-Page)

1. Supplied with the engine.
2. Torque to 61–65 N•m.
3. Torque to 41–47 N•m.

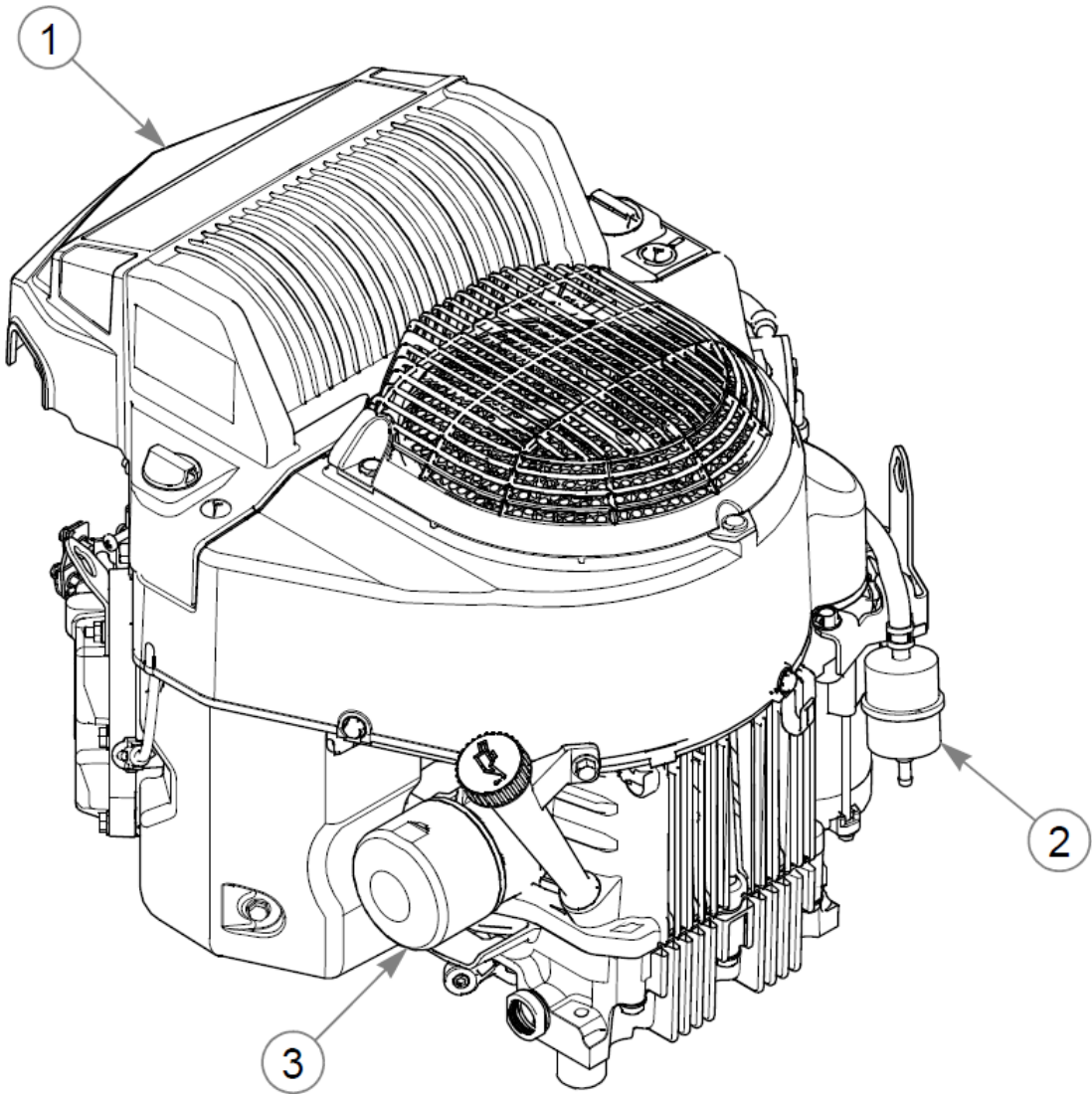
- 4. Torque to 23 N•m.
- 5. Part of the wire harness.

TRIM & FUEL LINE LENGTHS

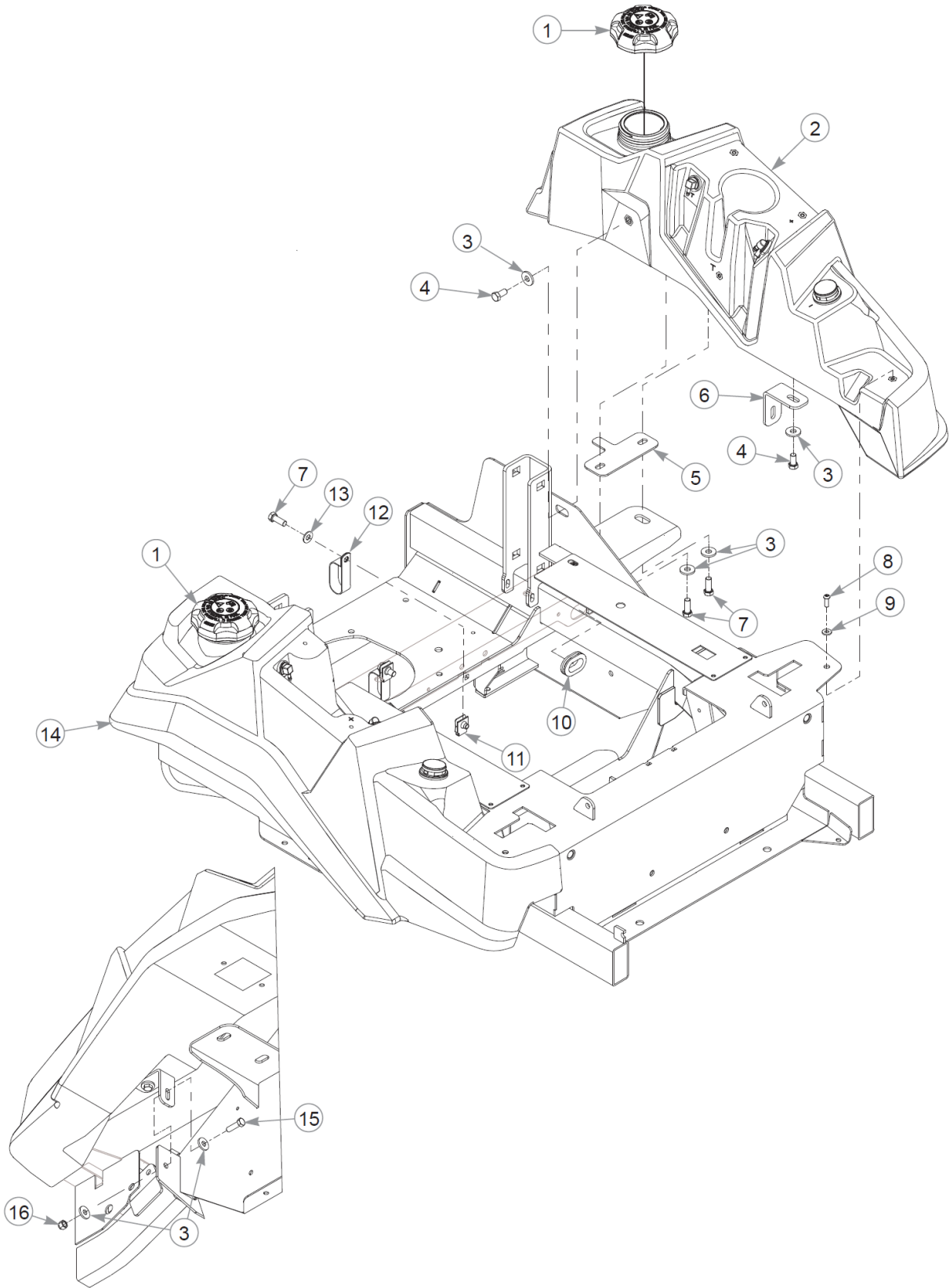
A: 5 cm (FLEXIBLE TRIM)

B: 32 cm (FUEL LINE)

Pagina lasciata volutamente in bianco

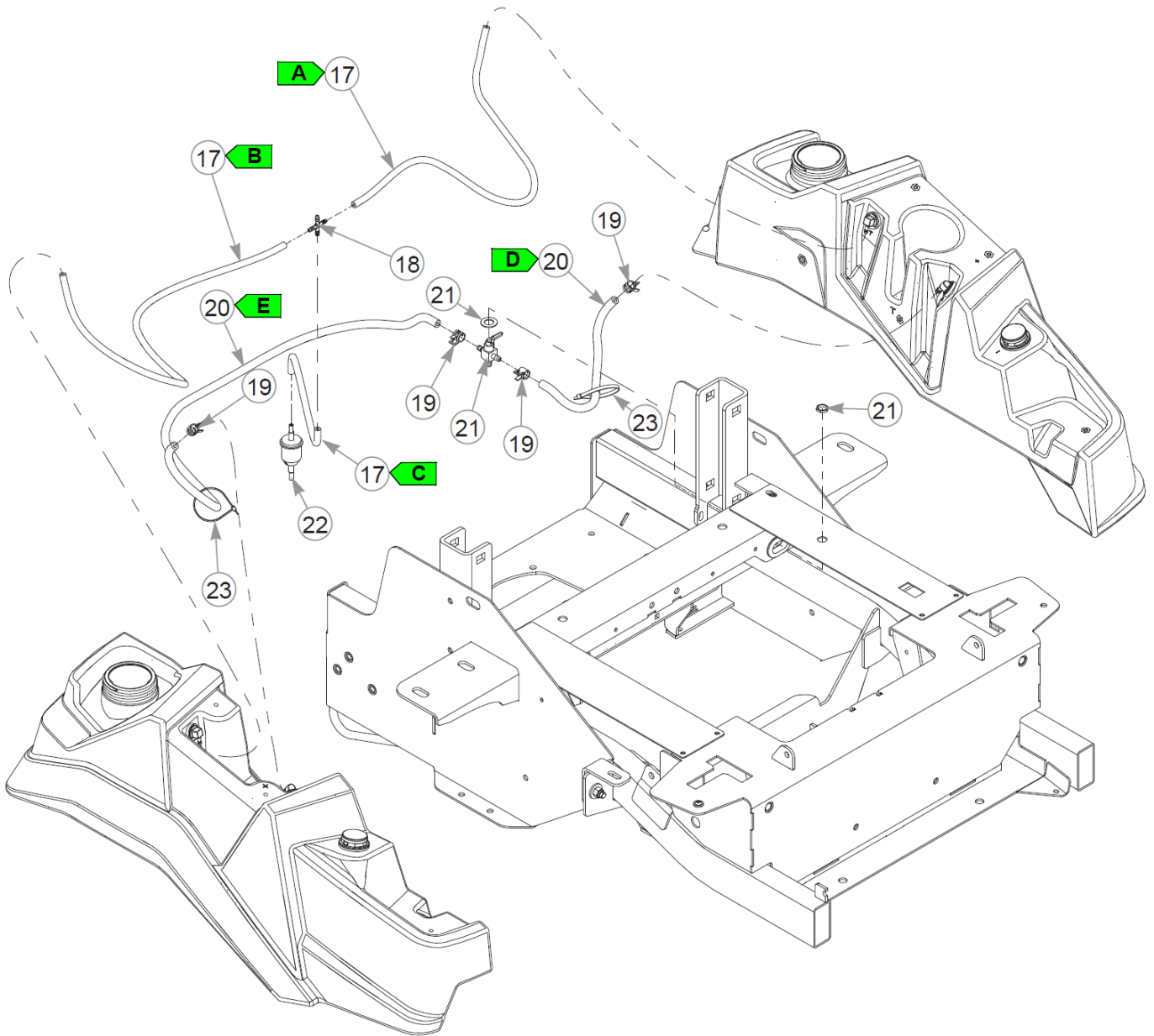


| Elemento | Parte n. | Q.ta | Nome |
|----------|----------|------|-----------------------|
| 1 | 607968 | 1 | AIR FILTER, KAW FT |
| 2 | 604558 | 1 | FILTER, KAWASAKI FUEL |
| 3 | 602581 | 1 | ENGINE OIL FILTER |



UNDERSIDE OF GAS TANK

Pagina lasciata volutamente in bianco

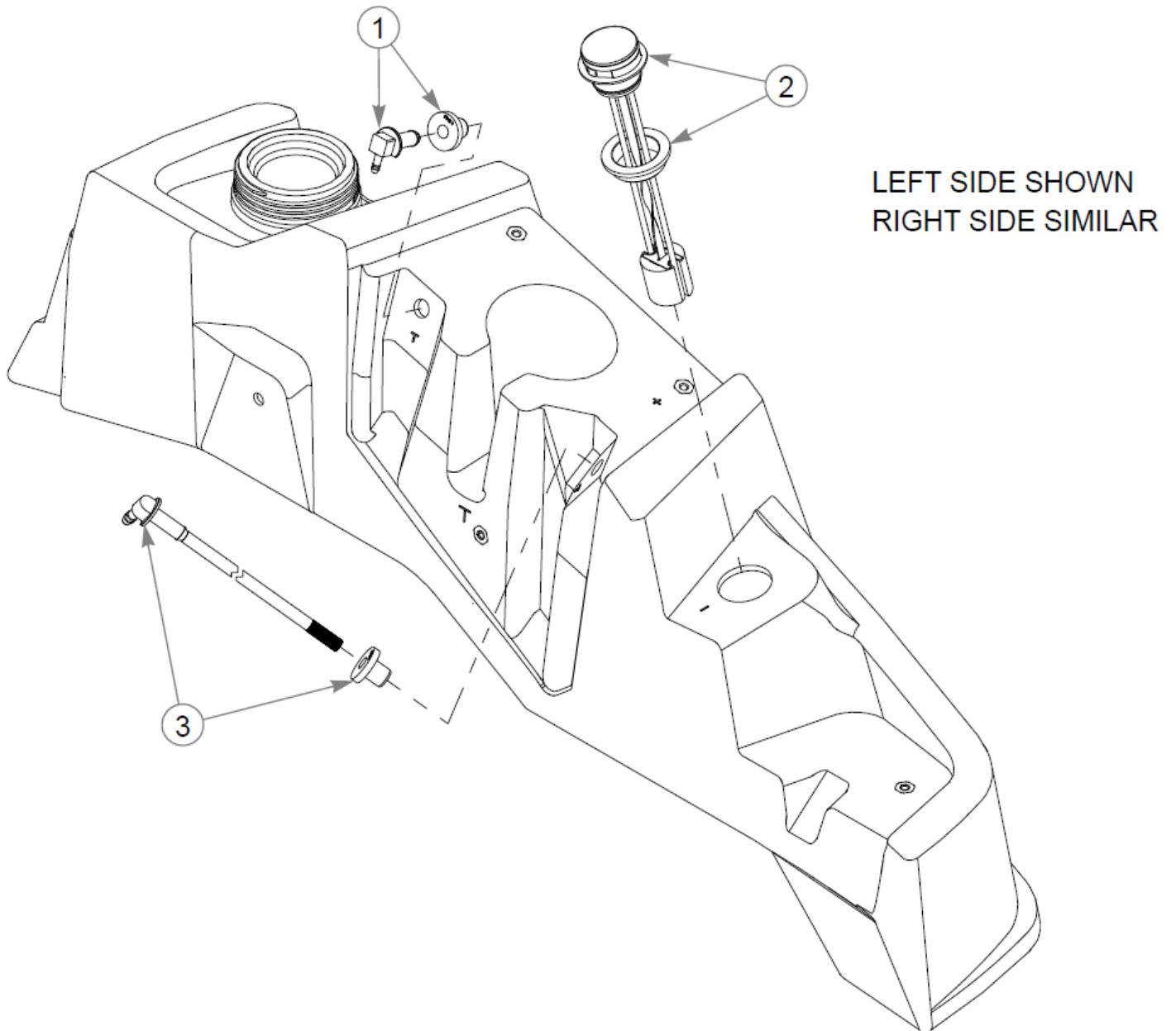


| Elemento | Parte n. | Q.ta | Nome |
|----------|----------|------|--------------------------|
| 1 | 603807 | 2 | CAP, 3.5" RATCHETING GAS |
| 2 | 608411 | 1 | FUEL TANK ASSY, LEFT |
| 3 | 712919 | 12 | FW 0.406X1.00X.12 HD ZN |
| 4 | 055822 | 4 | CS .375-16X0.75 HX G5 ZN |
| 5 | 127925-1 | 2 | YELLOW, SPACER |
| 6 | 127924-1 | 2 | YELLOW, BRACKET |
| 7 | 036244 | 6 | CS .375-16X1.00 HX G5 ZN |
| 8 | 608598 | 2 | CS .250-20 X .625 BH TX |
| 9 | 605628 | 2 | FW 0.281X.63X.07 ZB |
| 10 | 706531 | 2 | GM 1.12X1.75X1.37X.12 |
| 11 | 601758 | 2 | CN .375-16x.200 MAX THK |
| 12 | 045088 | 2 | HOSE CLAMP 1" (FS) |
| 13 | 767954 | 2 | FW 0.379X.82X.06 HD ZN |
| 14 | 608412 | 1 | FUEL TANK ASSY, RIGHT |
| 15 | 052860 | 2 | CS .375-16X1.25 HX G5 ZN |
| 16 | 086660 | 2 | NT .375-16NLG8 |
| 17 | 603326P | 1 | VAPOR LINE, 3/16" - 7 FT |
| 18 | 605425 | 1 | CROSS, 3/16" PLASTIC |
| 19 | 000323 | 4 | CLIP, HOSE CLAMP |
| 20 | 015818P | 1 | FUEL LINE, 1/4" - 6 FT |
| 21 | 745059 | 1 | FUEL VALVE 3-WAY |
| 22 | 604323 | 1 | VAPOR SYSTEM FILTER |
| 23 | 000331 | 2 | WIRE TIE, SMALL/SHORT |

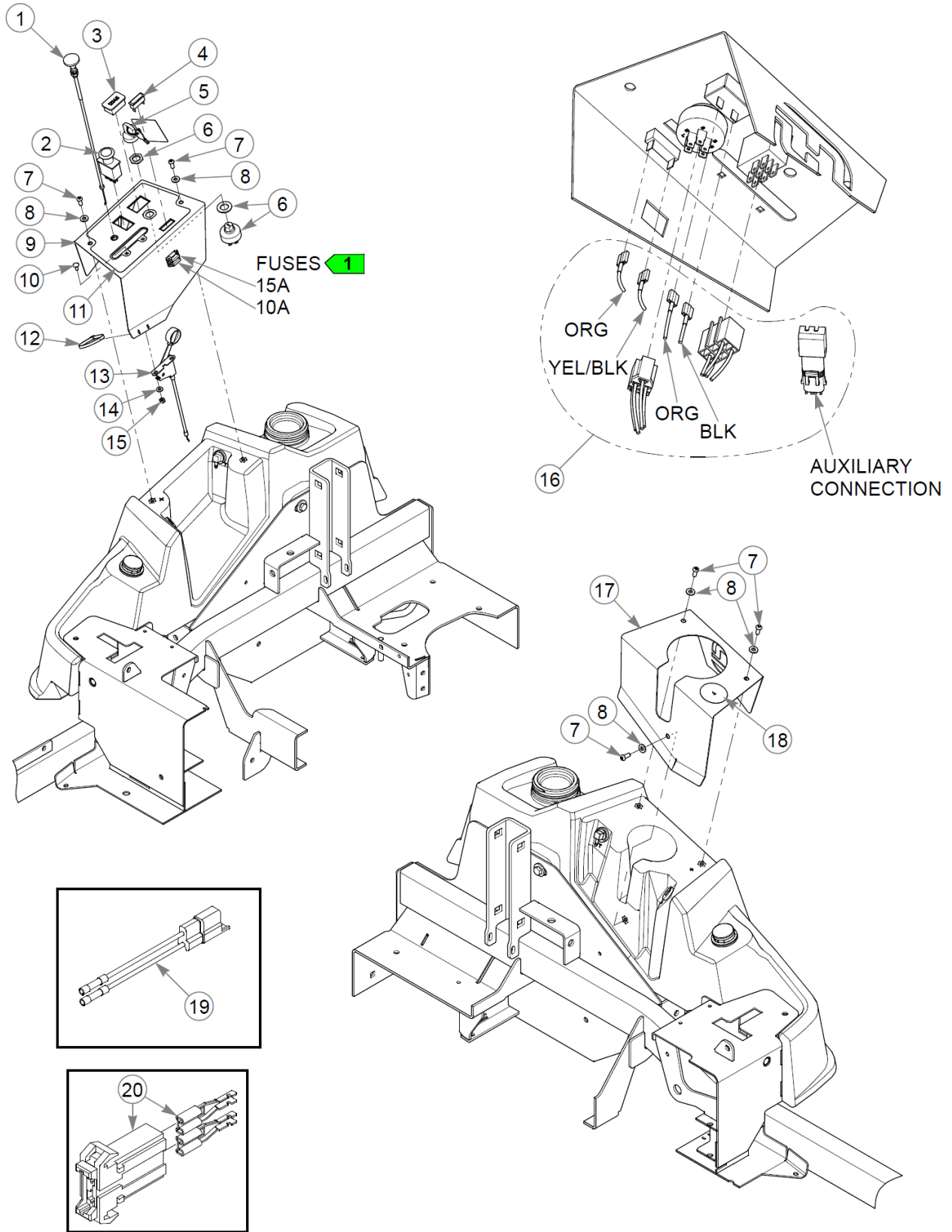
Comments for Page: Fuel System (Multi-Page)

FUEL & VAPOR LINE LENGTHS

- A: 69 cm LEFT TANK TO CROSS (VAPOR)
- B: 86 cm RIGHT TANK TO CROSS (VAPOR)
- C: 30 cm CROSS TO FILTER (VAPOR)
- D: 32 cm LEFT TANK TO VALVE (FUEL)
- E: 105 cm RIGHT TANK TO VALVE (FUEL)



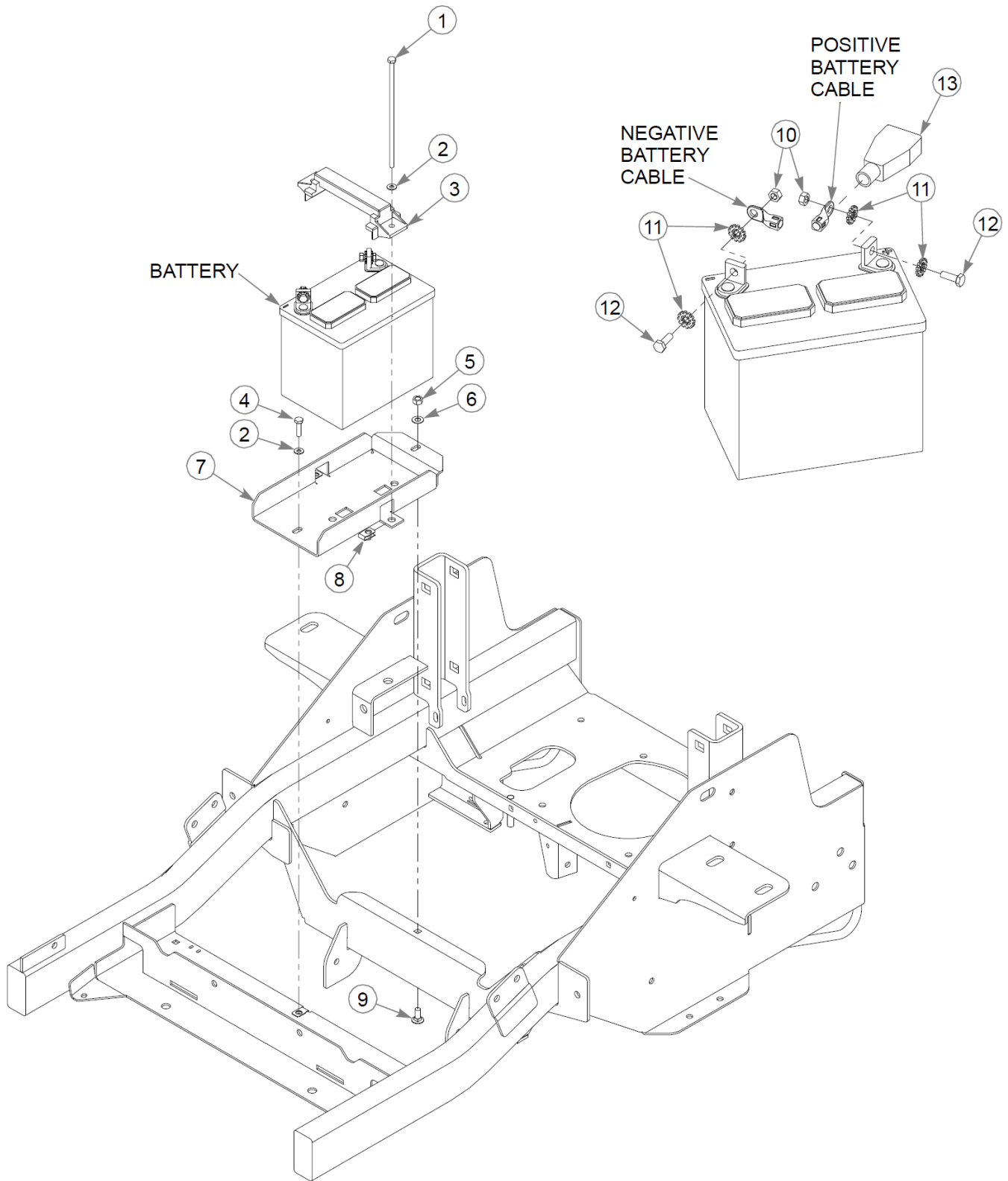
| Elemento | Parte n. | Q.ta | Nome |
|----------|----------|------|------------------------|
| 1 | 604287K | 1 | VENT FITTING SVC KIT |
| 2 | 608497K | 1 | SVC KIT, FUEL GAUGE |
| 3 | 608506K | 1 | SVC, KIT, SUCTION HOSE |



| Elemento | Parte n. | Q.ta | Nome |
|----------|----------|------|--------------------------|
| 1 | 786657 | 1 | CABLE, CHOKE |
| 2 | 776476 | 1 | SWITCH, PTO 6201-321 |
| 3 | 769166 | 1 | HOUR METER |
| 4 | 712257 | 1 | INDICATOR LIGHT, RED(FS) |
| 5 | 785808 | 1 | KEY ASSEMBLY |
| 6 | 045898 | 1 | IGNITION SWITCH |
| 7 | 608598 | 5 | CS .250-20 X .625 BH TX |
| 8 | 605628 | 5 | FW 0.281X.63X.07 ZB |
| 9 | 556156 | 1 | SVC INST. PANEL |
| 10 | 601098 | 2 | CB 10-24 X .500 ZYNC |
| 11 | 608553 | 1 | DECAL, INSTR. PANEL |
| 12 | 000331 | 1 | WIRE TIE, SMALL/SHORT |
| 13 | 778365 | 1 | CABLE, THROTTLE |
| 14 | 704932 | 2 | FW 0.219X.50X.05 ZN |
| 15 | 059832 | 2 | NT #10-24 HX NL ZN |
| 16 | 608472 | 1 | WIRE HARNESS |
| 17 | 127795-1 | 1 | COVER, FUEL FILLER |
| 18 | 608127 | 1 | DECAL, USA, F&D |
| 19 | 114052 | 1 | KIT, CLUTCH CONN. REP. |
| 20 | 601047 | 1 | HOLDER, FUSE |
| 21 | 601053 | 3 | RELAY, SEALED W/BRACKET |

Comments for Page: Instrument Panel & Wire Harness

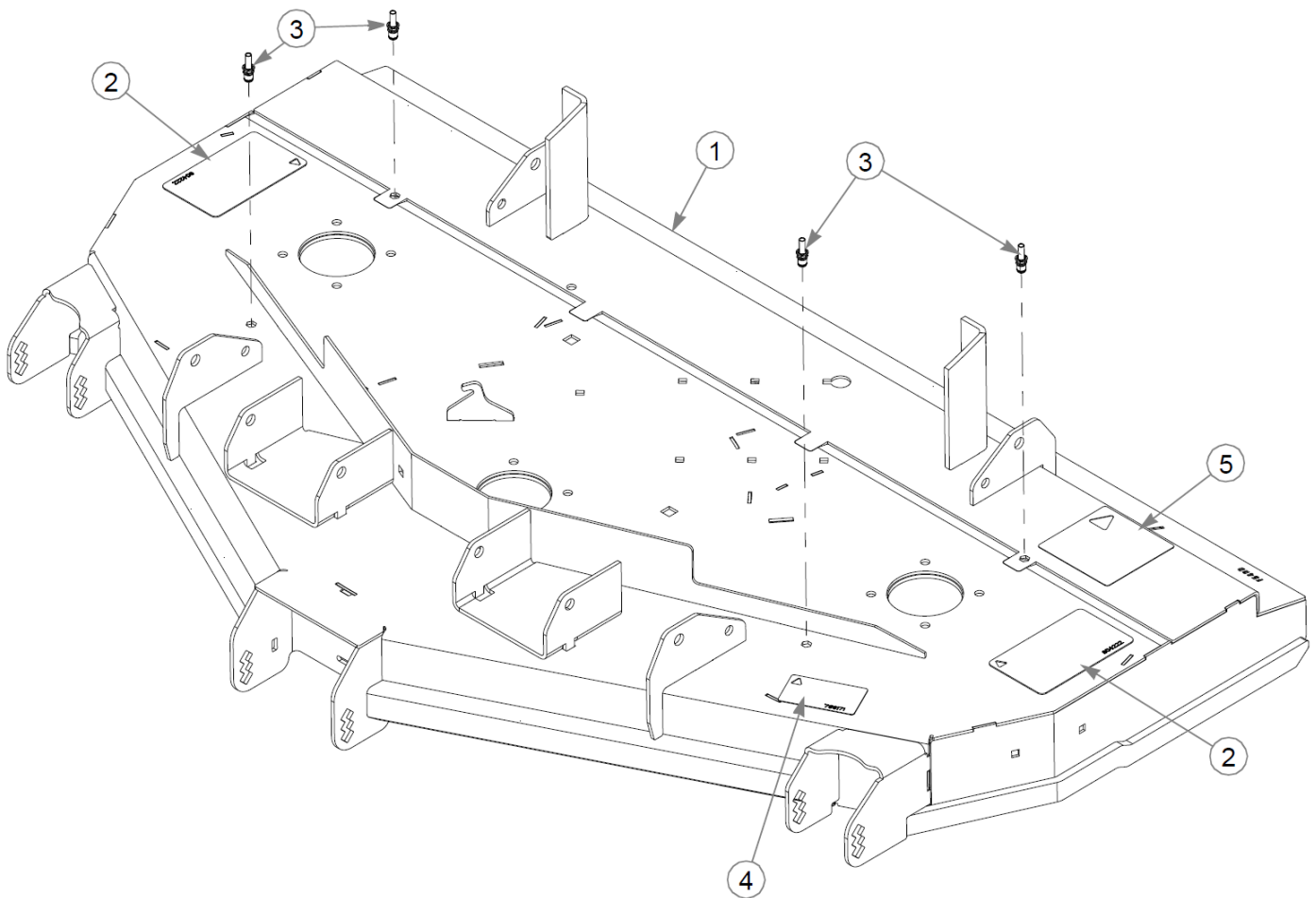
1. Part of the wire harness.
2. The instrument panel includes the decal.
3. The sealed relay (not shown) includes a bracket.



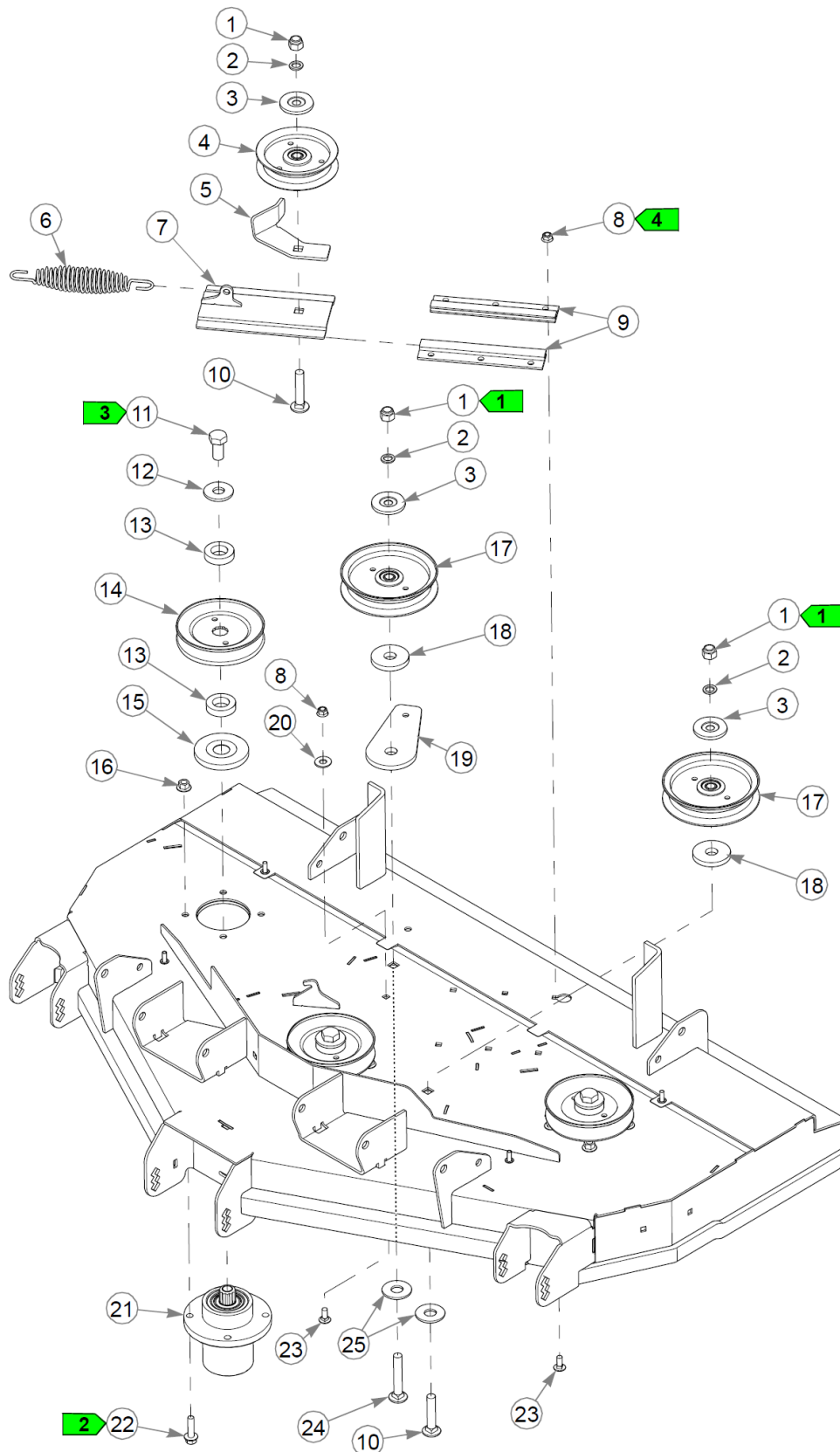
| Elemento | Parte n. | Q.ta | Nome |
|----------|----------|------|--------------------------|
| 1 | 604465 | 2 | CS .250-20X7.50 HX G5 ZN |
| 2 | 017079 | 3 | FW .250SAE |
| 3 | 604178 | 1 | STRAP, TIE DOWN |
| 4 | 056077 | 1 | CS .250-20X1.000HXG5 |
| 5 | 034272 | 1 | NT .312-18HXG5 |
| 6 | 604252 | 1 | FW .340X.68X.04 ZN |
| 7 | 127794-1 | 1 | BATTERY TRAY |
| 8 | 601982 | 2 | CN .250-20X .150 MAX THK |
| 9 | 016253 | 1 | CB .312-18X .750 FUL ZN |
| 10 | 024927 | 2 | NT .250-20HXG5 |
| 11 | 029868 | 4 | LW .250 INTEXT ZN |
| 12 | 055939 | 2 | CS .250-20X0.75 HX G5 ZN |
| 13 | 771428 | 1 | BATTERY CBL BOOT-RED(FS) |

Comments for Page: Battery

1. When performing service on the mower, disconnect the negative battery cable (black) and do not reconnect it to the battery until ready to start the engine.



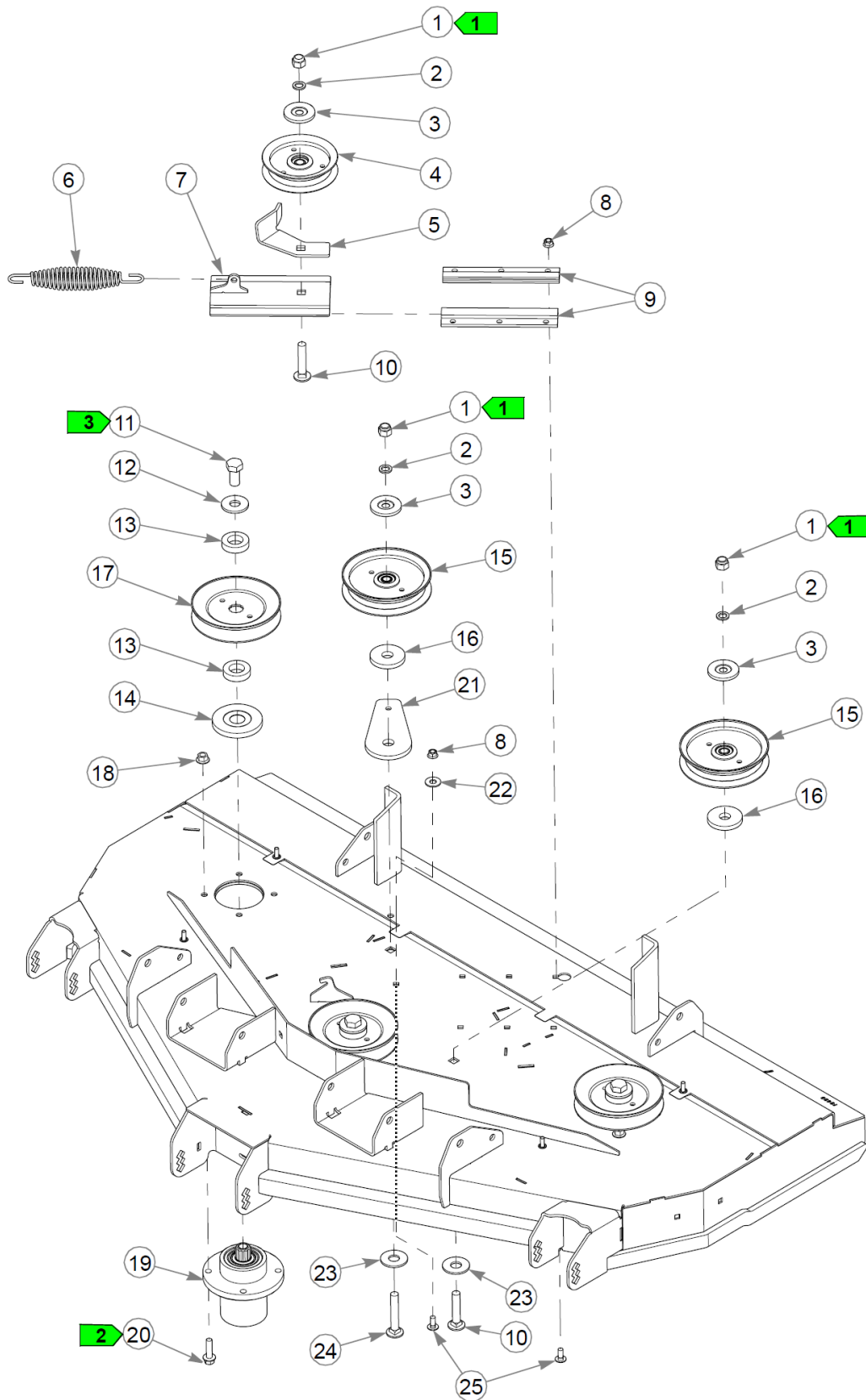
| Elemento | Parte n. | Q.ta | Nome |
|----------|----------|------|-------------------------|
| 1 | 556088 | 1 | 54" DECK RD |
| 2 | 604222 | 2 | DECAL, DANGER / OBJECTS |
| 3 | 607185 | 4 | 0.25-20 X 0.625 |
| 4 | 799171 | 1 | DECAL, 54" DECK ID |
| 5 | 781419 | 1 | DECAL, BELT ROUTING |



| Elemento | Parte n. | Q.ta | Nome |
|----------|----------|------|--------------------------|
| 1 | 781567 | 3 | NT .500-13NLG5 |
| 2 | 604486 | 3 | FW .531X.812X.089 HD |
| 3 | 605467 | 3 | DUST SHIELD |
| 4 | 605512 | 1 | 4" IDLER PULLEY |
| 5 | 124488-4 | 1 | BELT GUIDE |
| 6 | 781302 | 1 | IDLER SPRING |
| 7 | 121052 | 1 | SLED, TENSIONER |
| 8 | 608059 | 7 | NT 0.312-18 FL NY G5 |
| 9 | 604790 | 2 | IDLER SLIDE, EXTRUDED |
| 10 | 604254 | 2 | CB .50-13 X 2.50 STD ZN |
| 11 | 781872 | 3 | CS .625-11X1.250HXG5 |
| 12 | 017152 | 3 | FW .688X1.75X.16 HD ZN |
| 13 | 604661 | 6 | SPACER, SPINDLE PULLEY |
| 14 | 604665 | 3 | PULLEY, DECK DRIVE B-SEC |
| 15 | 606362 | 3 | DUST SHIELD |
| 16 | 604515 | 12 | NT .375-16 FL NY GF |
| 17 | 607479 | 2 | IDLER PULLEY, 5.00" |
| 18 | 605508 | 2 | FW .73X2.25X.31 ZN |
| 19 | 605465 | 1 | BASE, IDLER PULLEY MOUNT |
| 20 | 017129 | 1 | FW .440X1.00X0.08 ZN |
| 21 | 783506 | 3 | BLADE SPINDLE ASSEMBLY |
| 22 | 605532 | 12 | CS .375-16X1.38 HXFG5ZN |
| 23 | 016253 | 7 | CB .312-18X .750 FUL ZN |
| 24 | 021980 | 1 | CB .500-13X 3.000 STD Z |
| 25 | 608374 | 2 | FW 0.719 X 1.75 X 0.125 |

Comments for Page: Pulleys & Spindles

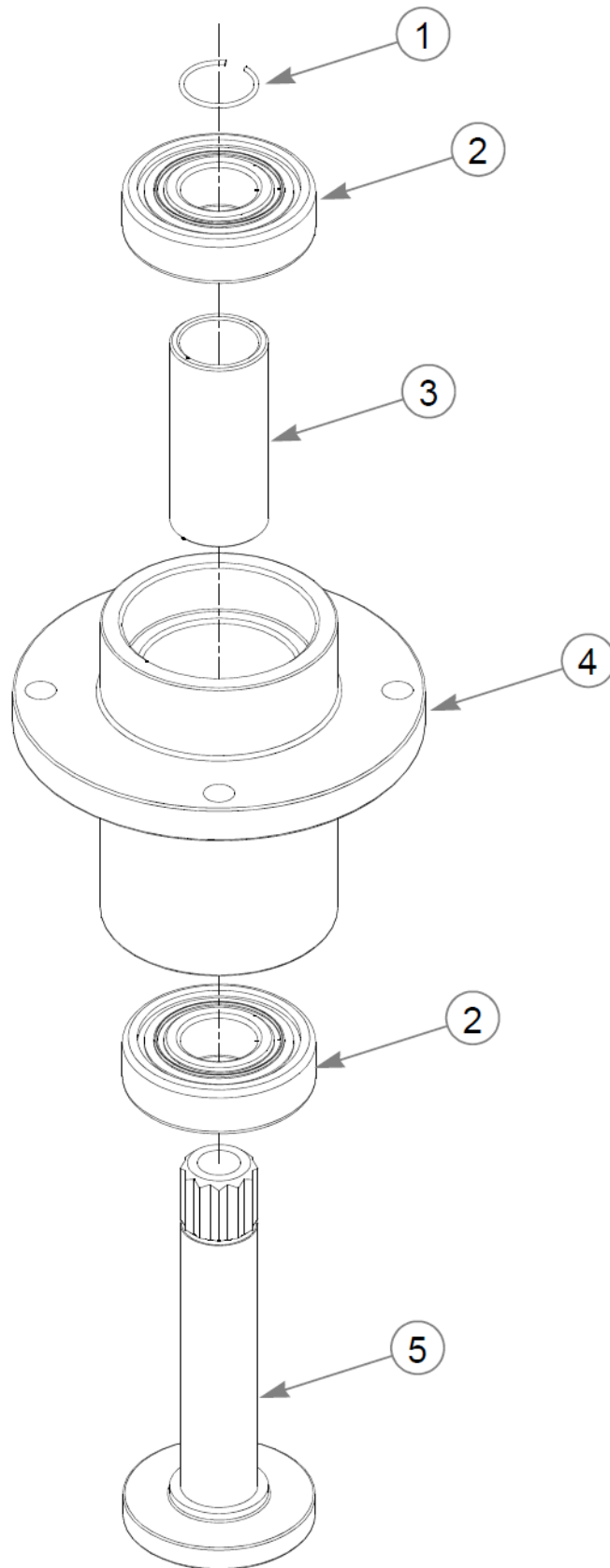
1. Torque to 99 N•m.
2. Torque to 40 N•m.
3. Torque to 160 N•m.
4. Torque to 4-8 N•m.



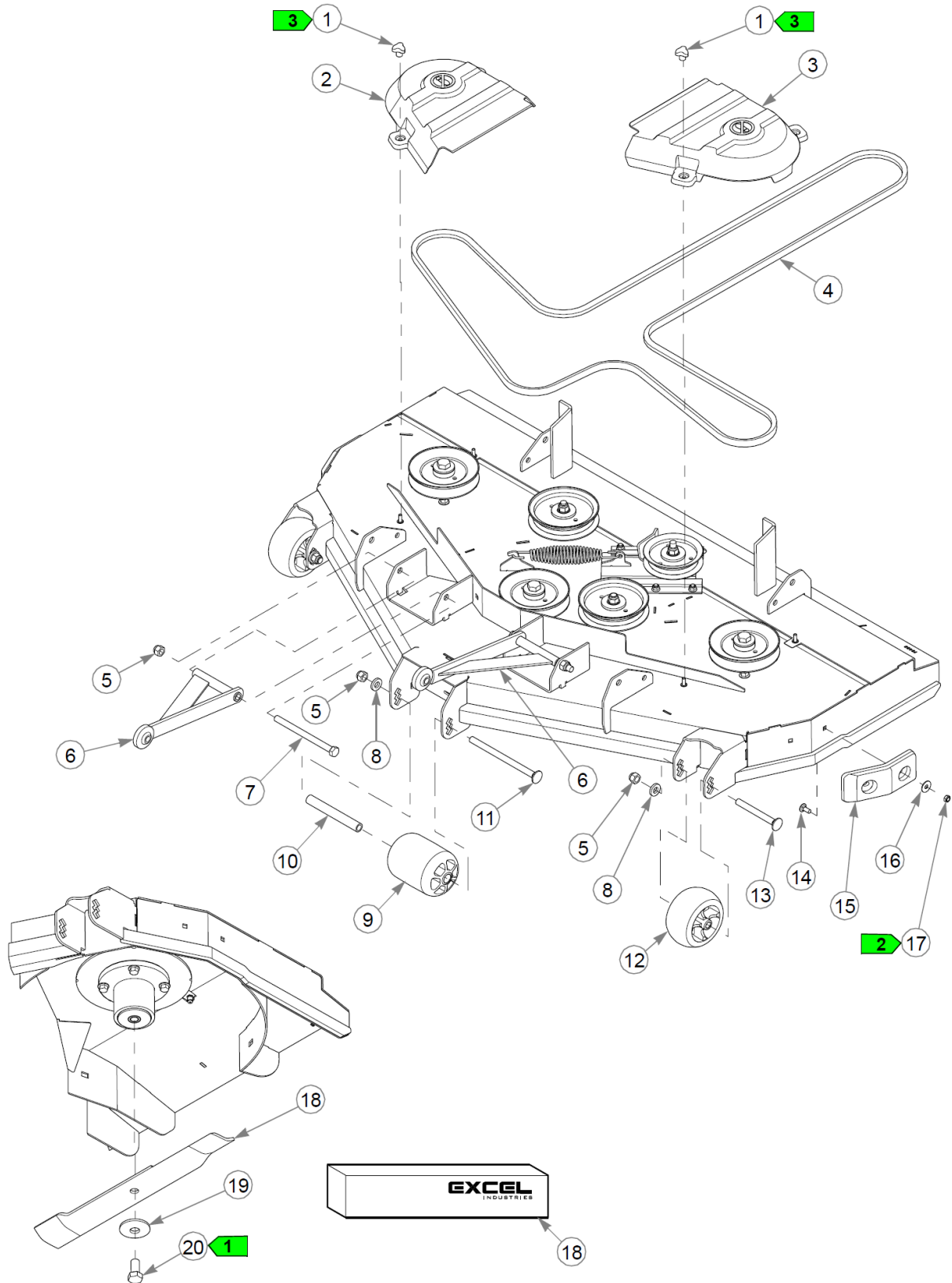
| Elemento | Parte n. | Q.ta | Nome |
|----------|----------|------|--------------------------|
| 1 | 781567 | 3 | NT .500-13NLG5 |
| 2 | 604486 | 3 | FW .531X.812X.089 HD |
| 3 | 605467 | 3 | DUST SHIELD |
| 4 | 605512 | 1 | 4" IDLER PULLEY |
| 5 | 124488-4 | 1 | BELT GUIDE |
| 6 | 781302 | 1 | IDLER SPRING |
| 7 | 121052 | 1 | SLED, TENSIONER |
| 8 | 608059 | 7 | NT 0.312-18 FL NY G5 |
| 9 | 604790 | 2 | IDLER SLIDE, EXTRUDED |
| 10 | 604254 | 2 | CB .50-13 X 2.50 STD ZN |
| 11 | 781872 | 3 | CS .625-11X1.250HXG5 |
| 12 | 017152 | 3 | FW .688X1.75X.16 HD ZN |
| 13 | 604661 | 6 | SPACER, SPINDLE PULLEY |
| 14 | 606362 | 3 | DUST SHIELD |
| 15 | 607479 | 2 | IDLER PULLEY, 5.00" |
| 16 | 605508 | 2 | FW .73X2.25X.31 ZN |
| 17 | 604664 | 3 | PULLEY, DECK DRIVE B-SEC |
| 18 | 604515 | 12 | NT .375-16 FL NY GF |
| 19 | 783506 | 3 | BLADE SPINDLE ASSEMBLY |
| 20 | 605532 | 12 | CS .375-16X1.38 HXFG5ZN |
| 21 | 605465 | 1 | BASE, IDLER PULLEY MOUNT |
| 22 | 017129 | 1 | FW .440X1.00X0.08 ZN |
| 23 | 608374 | 2 | FW 0.719 X 1.75 X 0.125 |
| 24 | 021980 | 1 | CB .500-13X 3.000 STD Z |
| 25 | 016253 | 7 | CB .312-18X .750 FUL ZN |

Comments for Page: Deck Pulleys & Spindles

1. Torque to 99 N•m.
2. Torque to 40 N•m.
3. Torque to 160 N•m.



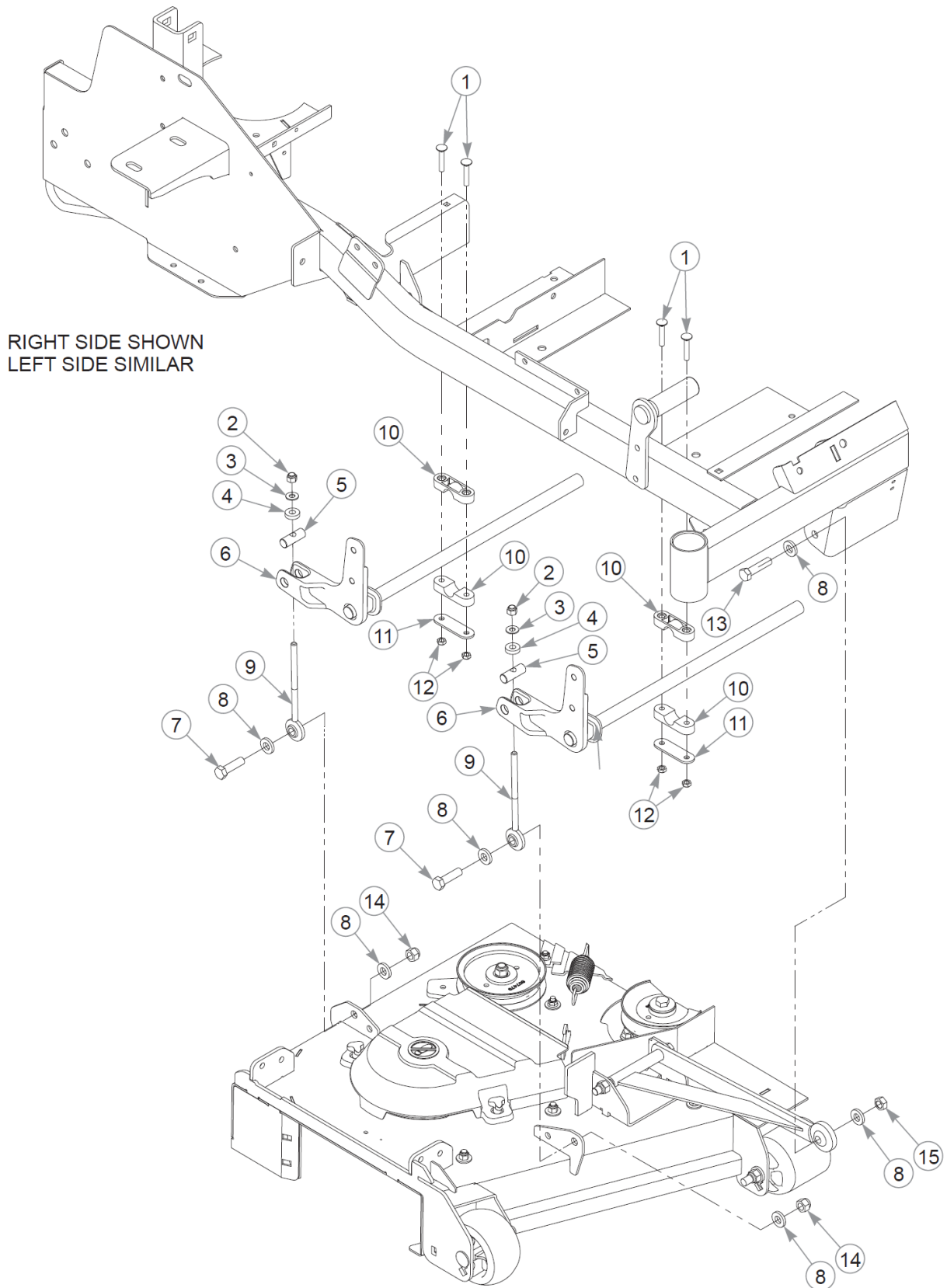
| Elemento | Parte n. | Q.ta | Nome |
|----------|----------|------|-------------------------|
| 1 | 783548 | 1 | RING, BLADE SPINDLE RET |
| 2 | 783555 | 2 | S/C TO 607275 |
| | 607275 | 2 | BLADE SPINDLE BEARING |
| 3 | 783530 | 1 | SPACER, BLADE SPINDLE |
| 4 | 783514 | 1 | HOUSING, BLADE SPINDLE |
| 5 | 783522 | 1 | SHAFT, BLADE SPINDLE |



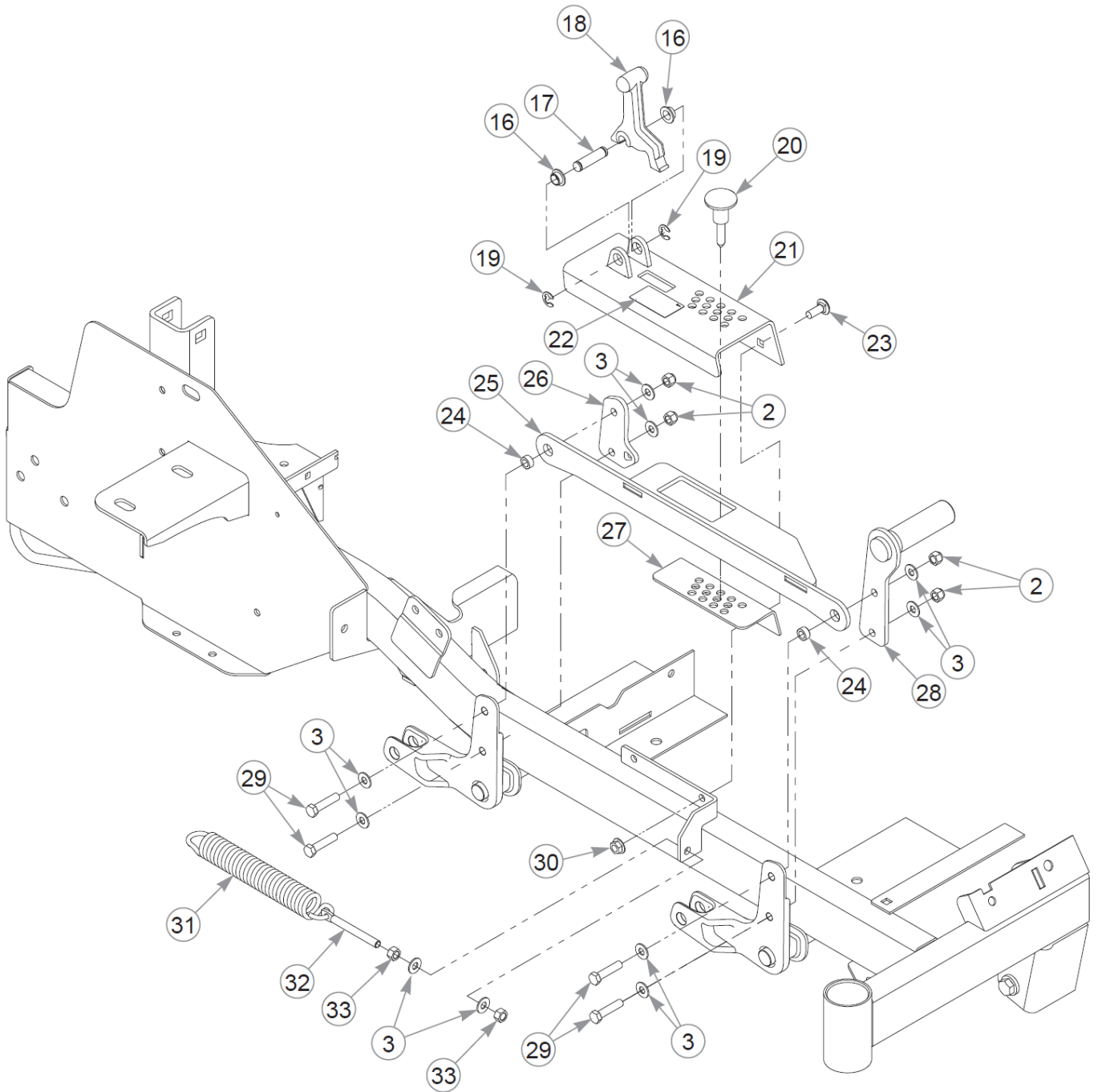
| Elemento | Parte n. | Q.ta | Nome |
|----------|----------|------|--------------------------|
| 1 | 607186 | 4 | .25-20 FEMALE KNOB |
| 2 | 607865 | 1 | PULLEY COVER, RH |
| 3 | 607866 | 1 | PULLEY COVER, LH |
| 4 | 602077 | 1 | DECK BELT |
| 5 | 781567 | 5 | NT .500-13NLG5 |
| 6 | 109434 | 2 | PULLER, W/A 10.9" C/C |
| 7 | 042630 | 2 | CS .500-13X6.500HXG5 |
| 8 | 767962 | 3 | FW .531 x 1.063 x .175 |
| 9 | 602341 | 1 | WHEEL, ANTI-SCALP |
| 10 | 602344 | 1 | SPACER, ANTI- SCALP 5.73 |
| 11 | 602338 | 1 | CB .50-13 X 7.50 STD ZN |
| 12 | 604780 | 2 | WHEEL, ANTI-SCALP |
| 13 | 602339 | 2 | CB .50-13 X 4.50 STD ZN |
| 14 | 016253 | 4 | CB .312-18X .750 FUL ZN |
| 15 | 605376 | 2 | DECK BUMPER |
| 16 | 079210 | 4 | FW 0.344X1.0X0.06 ZN |
| 17 | 604251 | 4 | NT .312-18 HXNL JAM G2ZN |
| 18 | 601124 | 3 | BLADE, 18.50"-L-F-CW |
| | 601124X | 1 | 10PK BLADE, 18.50"-L-F-C |
| | 606251 | 3 | BLADE, 18.50"-H-F-CW |
| | 606251X | 1 | 10PK BLADE 18.50"-H-F-CW |
| | 797712 | 3 | BLADE, 18.50"-GAT-F-CW |
| | 797712X | 1 | 10PK BLADE, 18.50"-GAT-F |
| | 797704 | 3 | BLADE, 18.50"-MUL-F-CW |
| | 797704X | 1 | 10PK BLADE, 18.50"-MUL-F |
| 19 | 782474 | 3 | CW .678 X 2.250 X .187 |
| 20 | 781872 | 3 | CS .625-11X1.250HXG5 |

Comments for Page: Deck Belt, Pulley Covers, & Blades

1. Torque to 118 ft-lbs.
2. Torque to 3–6 ft-lbs.
3. Torque the knobs to 15 in-lbs.



Pagina lasciata volutamente in bianco

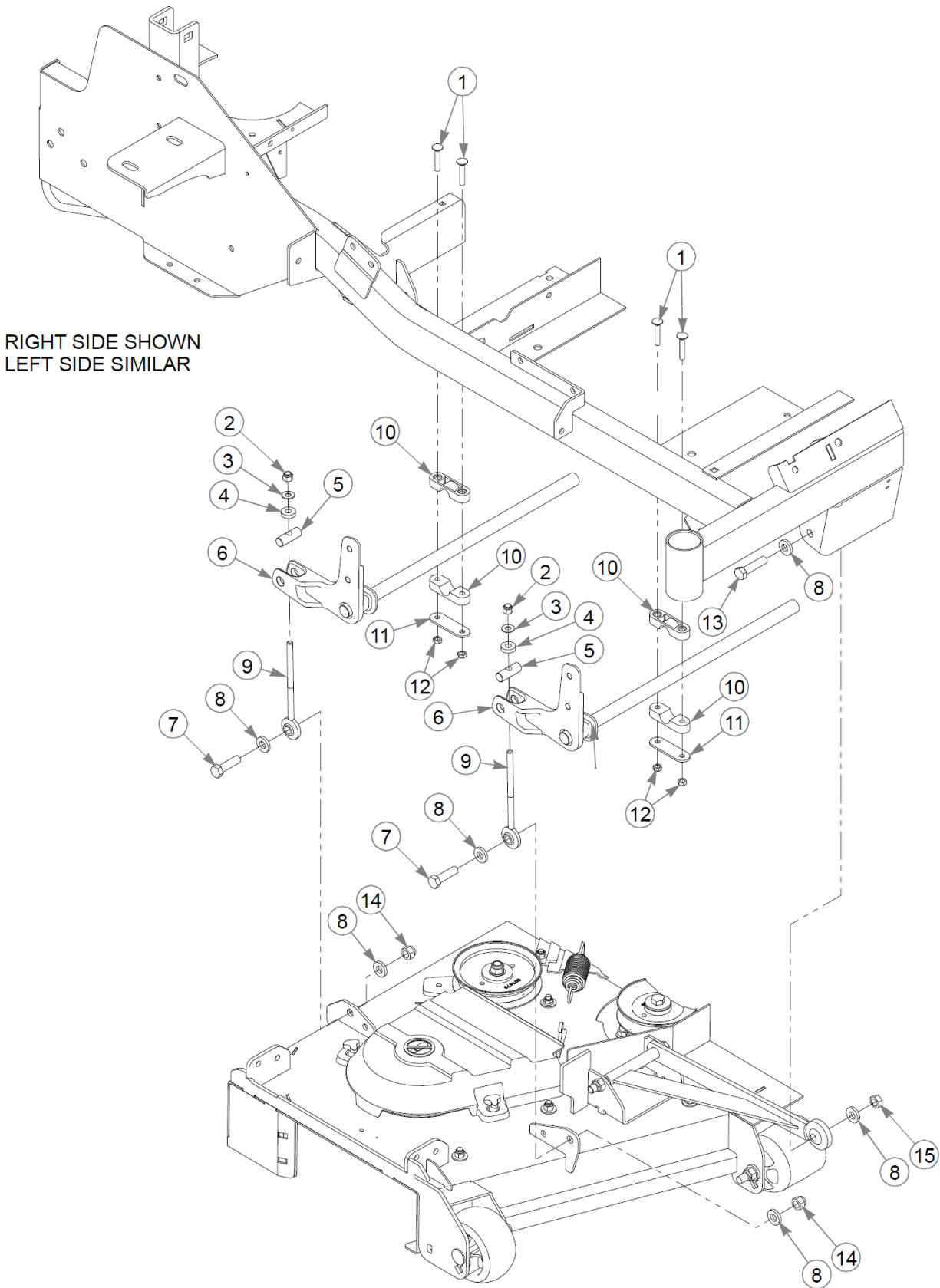


| Elemento | Parte n. | Q.ta | Nome |
|----------|----------|------|--------------------------|
| 1 | 771212 | 8 | CB .312-18X 1.750 G5 |
| 2 | 086660 | 8 | NT .375-16NLG8 |
| 3 | 767954 | 14 | FW 0.379X.82X.06 HD ZN |
| 4 | 605114 | 4 | FW .41X.94X.25 UHMW |
| 5 | 607970 | 4 | PIVOT, DECK LIFT |
| 6 | 127784-1 | 2 | DECK LIFT W/A |
| 7 | 017616 | 4 | CS .500-13X1.750HXG5 |
| 8 | 767962 | 12 | FW .531 x 1.063 x .175 |
| 9 | 127786 | 4 | DECK HANGER |
| 10 | 607907 | 8 | BUSHING, DECK LIFT |
| 11 | 126369-1 | 4 | SUPPORT, DECK HANGER |
| 12 | 604251 | 8 | NT .312-18 HXNL JAM G2ZN |
| 13 | 078949 | 2 | CS .500-13X2.000 FUL HX |
| 14 | 781567 | 4 | NT .500-13NLG5 |
| 15 | 008193 | 2 | NT .500-13HXG5 |
| 16 | 768259 | 2 | BUSHING,IGUS#0810 (FS) |
| 17 | 605470 | 1 | CE .500X2.00X1.63 |
| 18 | 605466 | 1 | TRANSPORT LATCH |
| 19 | 793059 | 2 | CLIP E,(1/2"),.80X.396X. |
| 20 | 607039 | 1 | PIN, .375X1.62 MAGNETIC |
| 21 | 556159 | 1 | SVC DECK HEIGHT CE |
| 22 | 605786 | 1 | DECAL, DECK HEIGHT CE |
| 23 | 025395 | 2 | CB .375-16X 1.00 G5 ZN |
| 24 | 118900 | 2 | SPACER, DECK LIFT LINK |
| 25 | 126374-4 | 1 | DECK LIFT LINK ZINC |
| 26 | 126377-1 | 1 | SPRING ASSIST PLATE |
| 27 | 126370-1 | 1 | DECK HEIGHT BRACKET |
| 28 | 607971-1 | 1 | PEDAL W/A |
| 29 | 705160 | 4 | CS .375-16X1.625HXG5 |
| 30 | 016899 | 2 | NT .375-16 FLKG5 |
| 31 | 008938 | 1 | TENSION SPRING-PLATED |
| 32 | 601486 | 1 | EB, .375-16X3.00 FULTHD |
| 33 | 054502 | 2 | NT .375-16HXG5 |

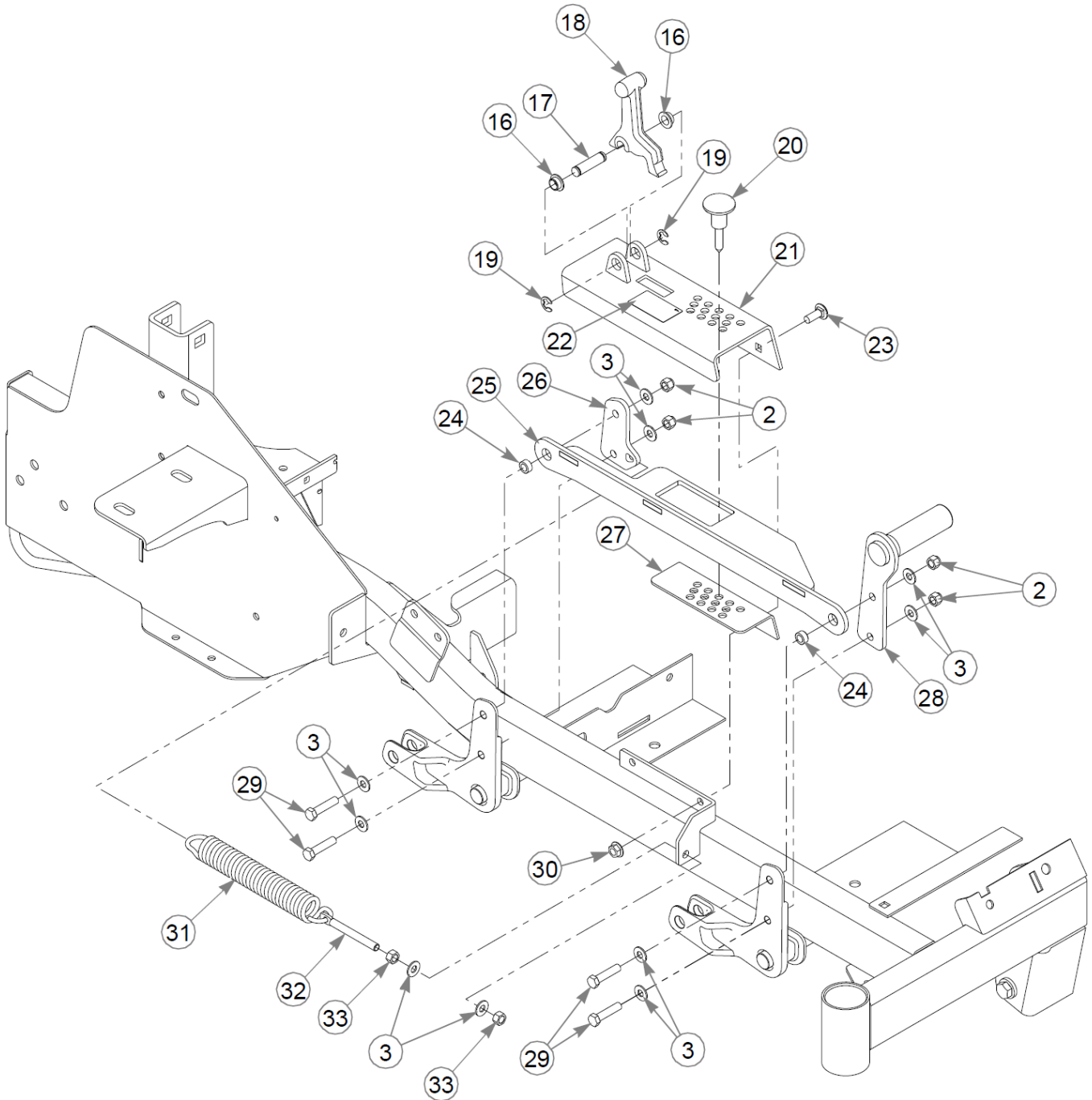
Comments for Page: Deck Lift & Mounting Hardware (Multi-Page) - Prior To S/N 21106078

1. The top deck lift bracket includes the decal.

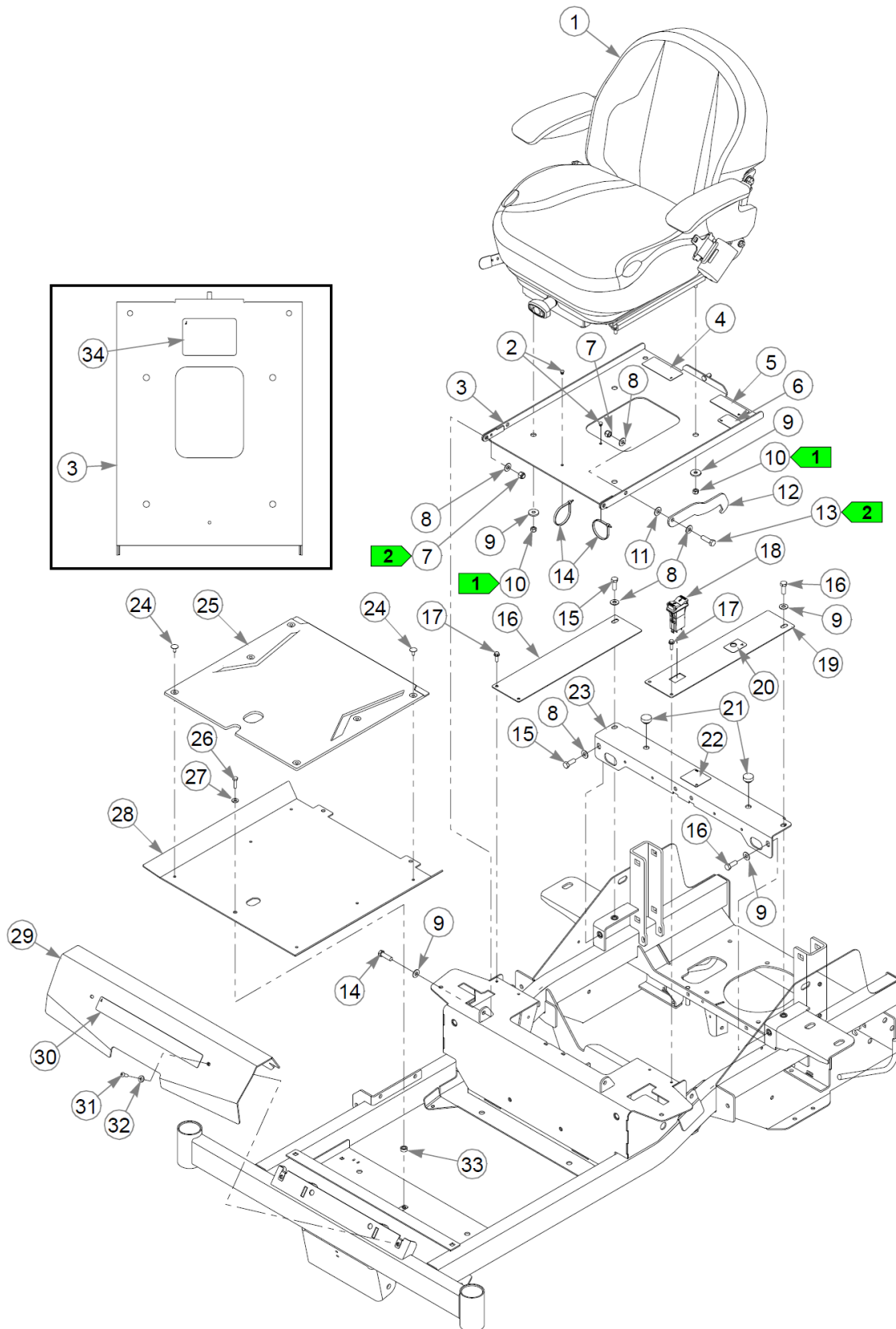
Pagina lasciata volutamente in bianco



Pagina lasciata volutamente in bianco

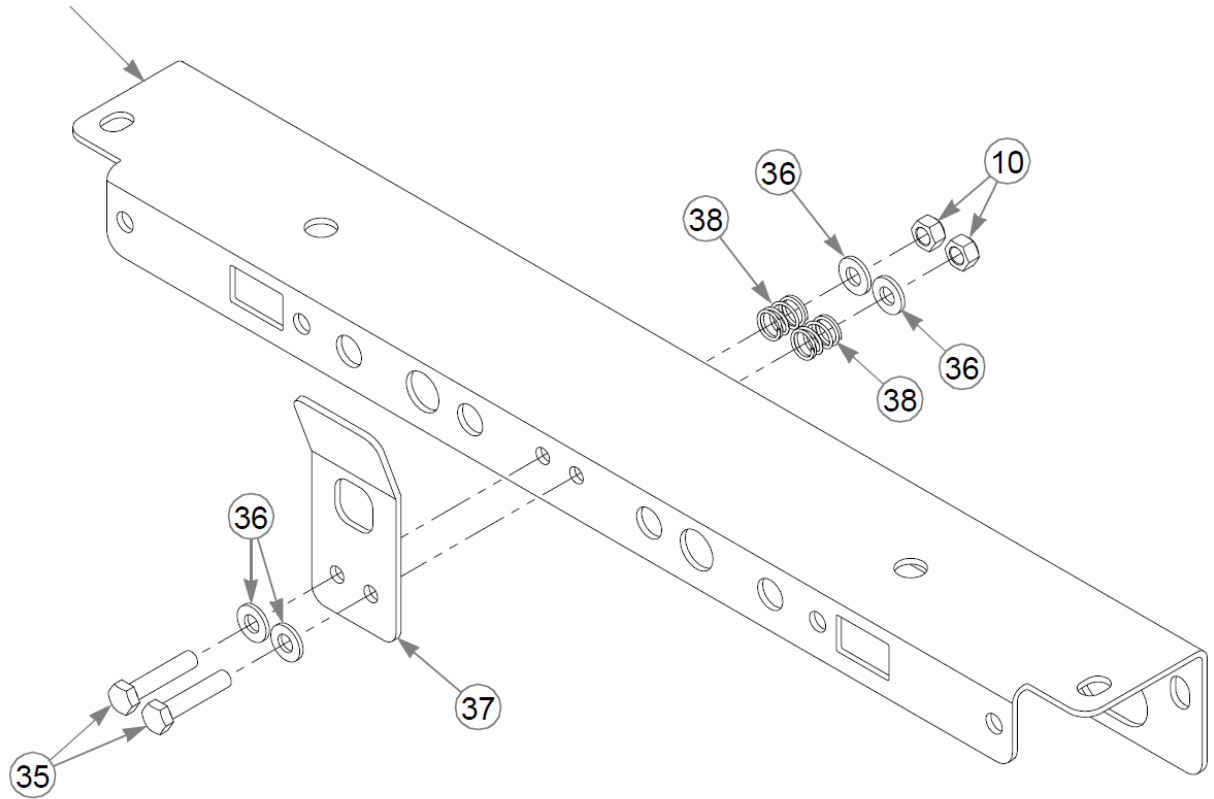


| Elemento | Parte n. | Q.ta | Nome |
|----------|----------|------|--------------------------|
| 1 | 608658 | 8 | CB .3125 X 1.75 ZN G8 |
| 2 | 086660 | 8 | NT .375-16NLG8 |
| 3 | 767954 | 14 | FW 0.379X.82X.06 HD ZN |
| 4 | 605114 | 4 | FW .41X.94X.25 UHMW |
| 5 | 607970 | 4 | PIVOT, DECK LIFT |
| 6 | 127784-1 | 2 | DECK LIFT W/A |
| 7 | 017616 | 4 | CS .500-13X1.750HXG5 |
| 8 | 767962 | 12 | FW .531 x 1.063 x .175 |
| 9 | 127786 | 4 | DECK HANGER |
| 10 | 607907 | 8 | BUSHING, DECK LIFT |
| 11 | 126369-1 | 4 | SUPPORT, DECK HANGER |
| 12 | 604251 | 8 | NT .312-18 HXNL JAM G2ZN |
| 13 | 078949 | 2 | CS .500-13X2.000 FUL HX |
| 14 | 781567 | 4 | NT .500-13NLG5 |
| 15 | 008193 | 2 | NT .500-13HXG5 |
| 16 | 768259 | 2 | BUSHING,IGUS#0810 (FS) |
| 17 | 605470 | 1 | CE .500X2.00X1.63 |
| 18 | 605466 | 1 | TRANSPORT LATCH |
| 19 | 793059 | 2 | CLIP E,(1/2"),.80X.396X. |
| 20 | 607039 | 1 | PIN, .375X1.62 MAGNETIC |
| 21 | 126371-1 | 1 | DECK LIFT BRACKET TOP WA |
| 22 | 605786 | 1 | DECAL, DECK HEIGHT CE |
| 23 | 025395 | 2 | CB .375-16X 1.00 G5 ZN |
| 24 | 118900 | 2 | SPACER, DECK LIFT LINK |
| 25 | 608738-4 | 1 | DECK LIFT LINK W/A |
| 26 | 126377-1 | 1 | SPRING ASSIST PLATE |
| 27 | 126370-1 | 1 | DECK HEIGHT BRACKET |
| 28 | 607971-1 | 1 | PEDAL W/A |
| 29 | 705160 | 4 | CS .375-16X1.625HXG5 |
| 30 | 016899 | 2 | NT .375-16 FLKG5 |
| 31 | 008938 | 1 | TENSION SPRING-PLATED |
| 32 | 601486 | 1 | EB, .375-16X3.00 FULTHD |
| 33 | 054502 | 2 | NT .375-16HXG5 |



Pagina lasciata volutamente in bianco

SEAT SUPPORT



FRONT OF
MOWER

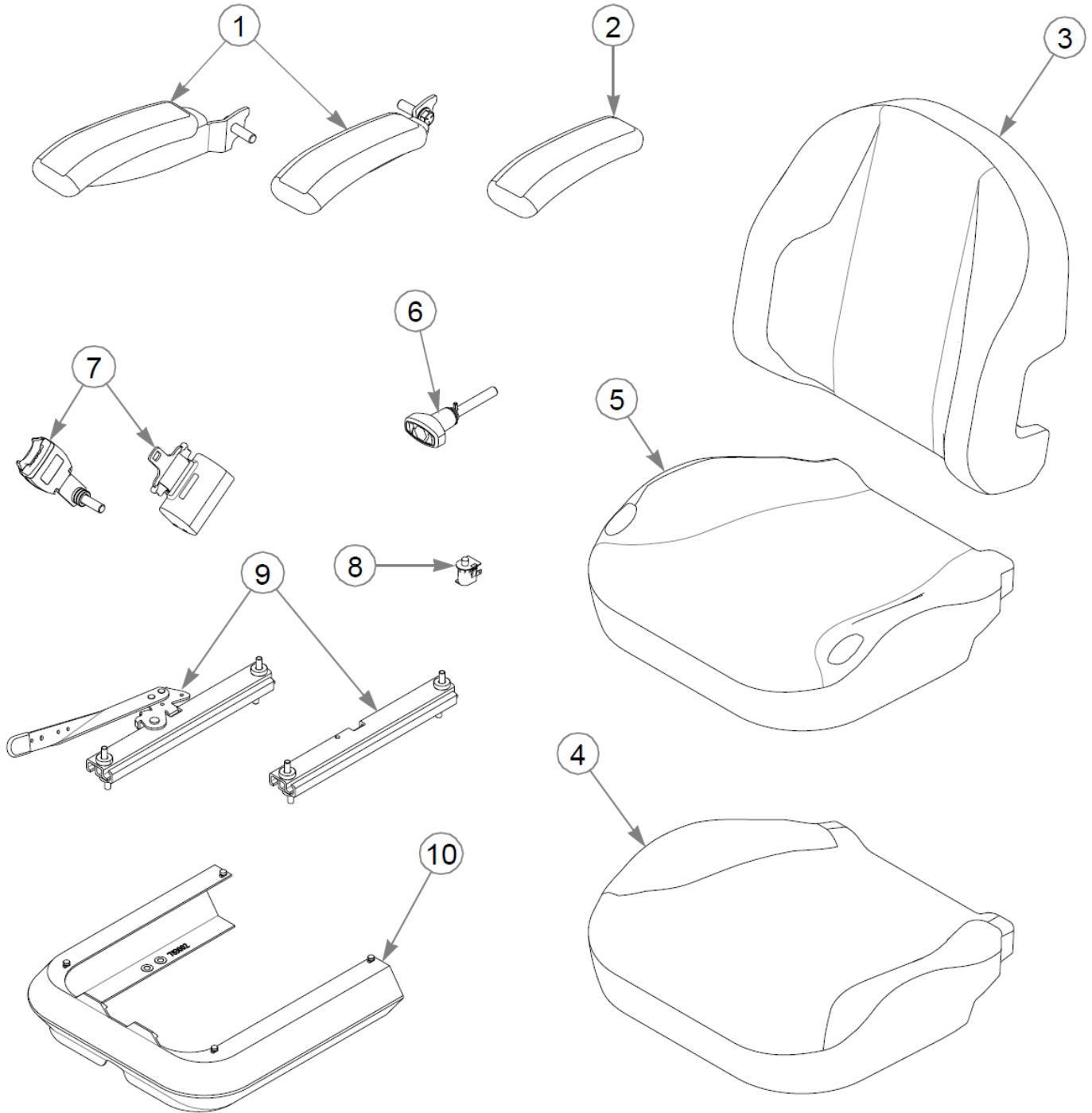
| Elemento | Parte n. | Q.ta | Nome |
|----------|----------|------|--------------------------|
| 1 | 608996 | 1 | SEAT, SEATS INC 1110 |
| 2 | 604307 | 2 | MOUNT, PUSH BUTTON |
| 3 | 124569-6 | 1 | SEAT PAN TEXTURED BLACK |
| 4 | 601967 | 1 | DECAL, ENGINE COMPART |
| 5 | 779280 | 1 | DECAL, HOT & HYD OIL |
| 6 | 605688 | 1 | DECAL, LEVEL FUEL FILL |
| 7 | 086660 | 3 | NT .375-16NLG8 |
| 8 | 767954 | 10 | FW 0.379X.82X.06 HD ZN |
| 9 | 712927 | 4 | FW 0.344X1.00X.12 HD ZN |
| 10 | 058776 | 6 | NT .312-18NLG5 |
| 11 | 724716 | 1 | WASHER, FIBER (FS) |
| 12 | 124558-4 | 1 | SEAT STOP |
| 13 | 052860 | 3 | CS .375-16X1.25 HX G5 ZN |
| 14 | 000331 | 2 | WIRE TIE, SMALL/SHORT |
| 15 | 036244 | 4 | CS .375-16X1.00 HX G5 ZN |
| 16 | 127798-6 | 1 | FILLER PANEL RH |
| 17 | 604324 | 4 | CS .250-20 X .75 HX FLG |
| 18 | 608492 | 1 | USB PORT DUAL CHARGE |
| 19 | 127797-6 | 1 | FILLER PANEL LH |
| 20 | 608581 | 1 | DECAL, FUEL SELECTOR |
| 21 | 781880 | 2 | BUMPER, .500x 1.00x .31 |
| 22 | 602562 | 1 | DECAL, NO SERVICE |
| 23 | 127799-6 | 1 | SEAT SUPPORT TEXT BLACK |
| 24 | 607868 | 6 | PUSH IN RIVET |
| 25 | 607864 | 1 | FLOOR MAT |
| 26 | 056077 | 1 | CS .250-20X1.000HXG5 |
| 27 | 768515 | 1 | FW 0.281SAE |
| 28 | 126382-1 | 1 | FLOOR PAN |
| 29 | 127800-6 | 1 | FOOTREST TEXTURED BLACK |
| 30 | 608095 | 1 | DECAL, HUSTLER |
| 31 | 605473 | 2 | CS .250-20X0.75 BH TX BZ |
| 32 | 605628 | 2 | FW 0.281X.63X.07 ZB |
| 33 | 118900 | 1 | SPACER, DECK LIFT LINK |
| 34 | 601815 | 1 | DECAL, BATTERY WARNINGS |
| 35 | 756270 | 2 | CS .312-18X1.500HXG5 |

Pagina lasciata volutamente in bianco

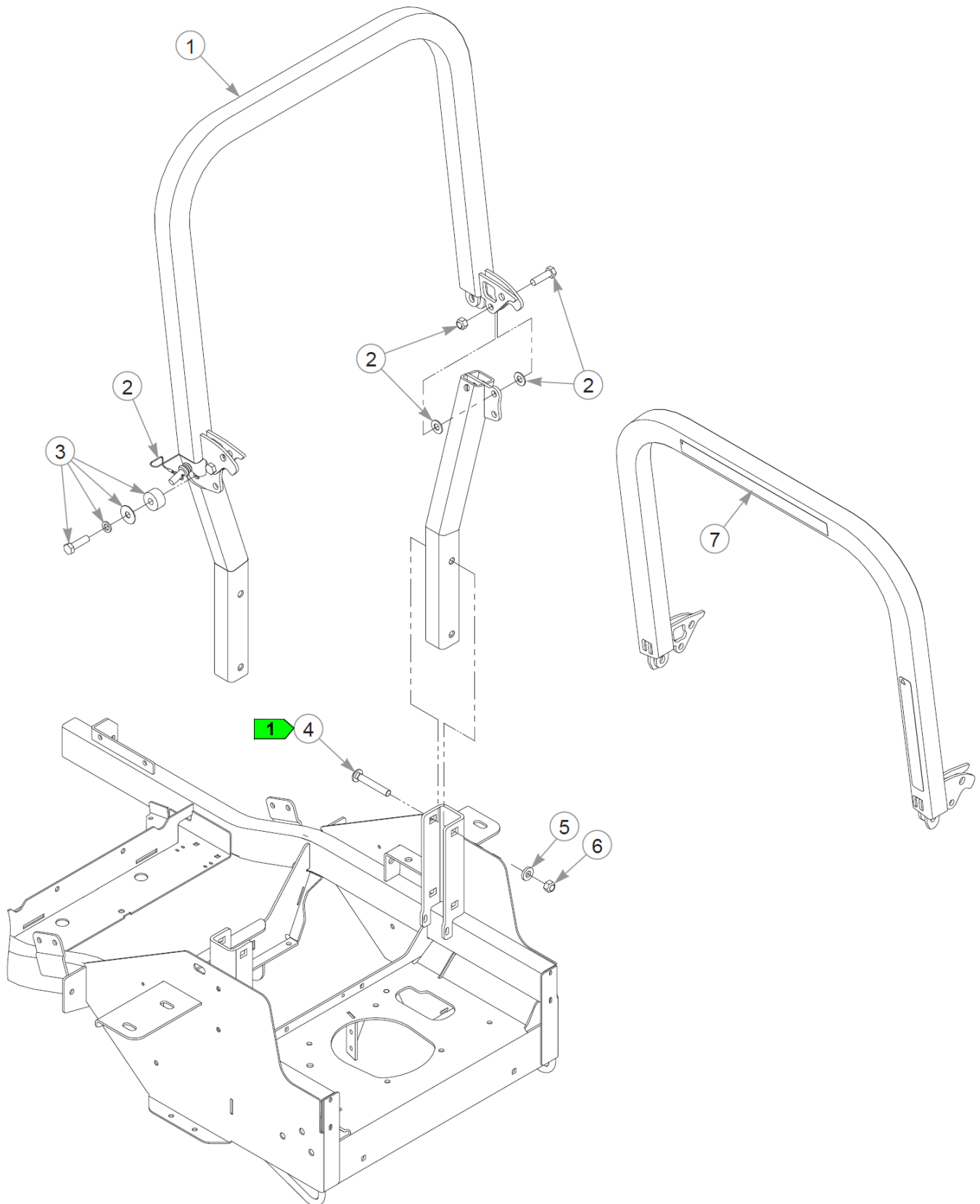
| Elemento | Parte n. | Q.ta | Nome |
|----------|----------|------|---------------------|
| 36 | 768523 | 4 | FW 0.343SAE |
| 37 | 124572-4 | 1 | LATCH, SEAT |
| 38 | 607046 | 2 | SPRING, COMPRESSION |

Comments for Page: Seat & Footrest (Multi-Page)

1. Torque to 17 ft-lbs.
2. Do not torque; the seat pan and seat stop must pivot freely.



| Elemento | Parte n. | Q.ta | Nome |
|----------|----------|------|-------------------------|
| | 608996 | 1 | SEAT, SEATS INC 1110 |
| 1 | 606080 | 1 | SVC, ARMREST SET |
| 2 | 606081 | 2 | SVC, ARM PAD |
| 3 | 608998 | 1 | SVC, BACK COVER |
| 4 | 608997 | 1 | SVC, SEAT CUSHION COVER |
| 5 | 608350 | 1 | SVC, SEAT FOAM 1110 |
| 6 | 607214 | 1 | SVC RIDE ADJUST KNOB |
| 7 | 607461 | 1 | SVC, SEAT BELT KIT |
| 8 | 606082 | 1 | SVC, OPS |
| 9 | 607459 | 1 | SVC, SEAT TRACK KIT |
| 10 | 607460 | 1 | SVC, RUBBER BELLOW |



| Elemento | Parte n. | Q.ta | Nome |
|----------|----------|------|------------------------|
| 1 | 605479 | 1 | ROPS ASSY |
| 2 | 605044 | 1 | KIT, ROPS HARDWARE |
| 3 | 605646 | 2 | KIT, POLY STOP (PAIR) |
| 4 | 607008 | 4 | CB .50-13 X 3.25 GR5 |
| 5 | 767962 | 4 | FW .531 x 1.063 x .175 |
| 6 | 023317 | 4 | NT .500-13UNTG8 |
| 7 | 605691 | 1 | DECAL, COMMERCIAL DUTY |

Comments for Page: ROPS

1. Torque to 99 N•m.